



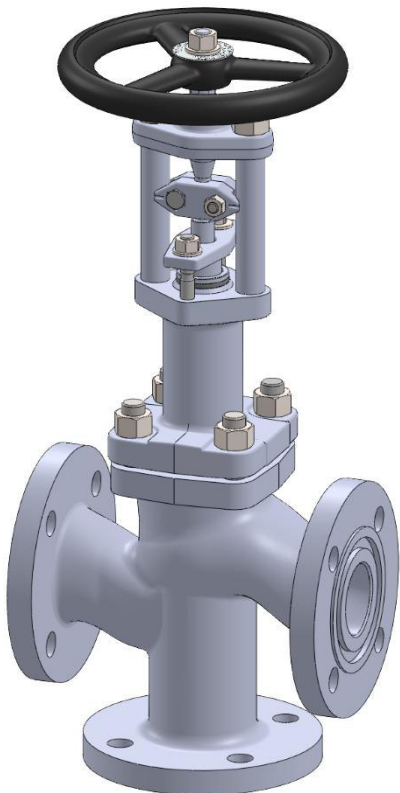
PHÖNIX

STRACK

DAUME
REGELARMATUREN



Solent & Pratt
Phönix Ltd



3-Way Globe Valve Type 374 PN 16

Phönix Valve Group
Am Stadtbruch 6
34471 Volkmarsen

Phone:
web:
eMail:

+49 5693 988 0
www.phoenix-valvegroup.com
info@phoenix-valvegroup.com





Model 374

3- Way / Protected Bellows

Applications & Design Features

Applications

Model 374 is designed for critical service applications involving lethal, toxic, corrosive, inflammable, volatile, radiating, or expensive fluids. The 3-way valve, depending on the version, perform different functions: the mixing and distribution of media flows or the shut-off of individual pipe sections.

The most common applications are

- Dry Chlorine (Cl₂)
- Anhydrous Hydrogen Chloride (HCl)
- Vinyl Chloride Monomer (VCM)
- Ethylene Dichloride (EDC)
- Anhydrous Hydrofluoric Acid (HF)
- Isocyanates (MDI, TDI, HDI, etc.)
- heat transfer fluid application (steam, hot oil, molten Sodium, etc.) and
- fluids of similar nature.

The unique valve design guarantees reliable and excellent protection against leaks or fugitive emissions. The stem seal requires virtually no maintenance due to leak free weld connections of the bellows with bonnet and stem. Constant packing monitoring and re-packing is eliminated. In the unlikely event of a bellows failure the backup packing guarantees safe valve performance until the next scheduled shutdown.

Design Features

Bellows and Packing

- bellows protected in extended bonnet against direct impingement from product flow
- multiple walls and hydroformed bellows
- up to 50.000 bellows operations guaranteed

Stem

- two-piece stem protects the bellows against torque stress
- design eliminates stem bearings along with their maintenance needs
- guided stem on top and bottom

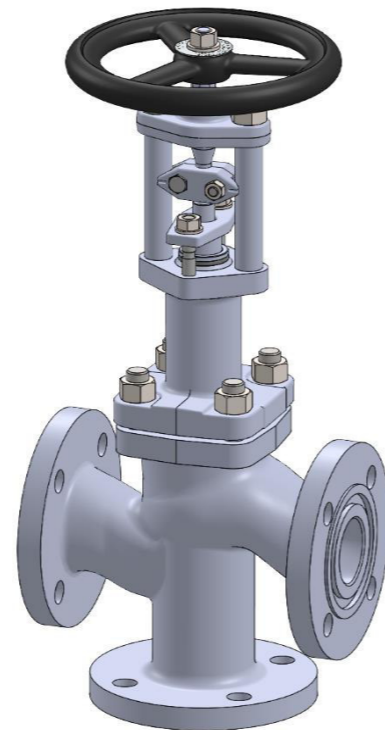
Body and Bonnet

- extended bonnet provides for good thermal insulation
- body bonnet joint gasket is fully confined to prevent gasket flow or blowout

Seats

- solid hardfacings for outstanding corrosion and wear resistance
- knife edge metal-to-metal seat for bubble-tight shutoff
- replaceable disc and seats for flowrate modification
- replaceable disc and seats for inexpensive maintenance

= zero emissions, zero seat leakage, low maintenance



Model 374

3- Way / Protected Bellows

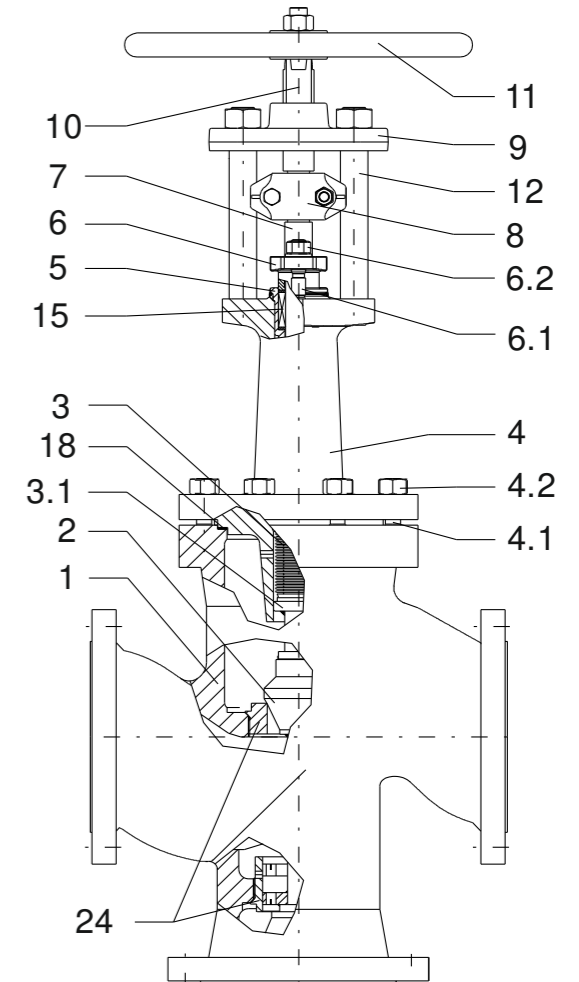
Standard Materials of Construction

Options

Other materials per customer requirements are available!

Notes

Phönix reserves the right to change product design and specification without notice!

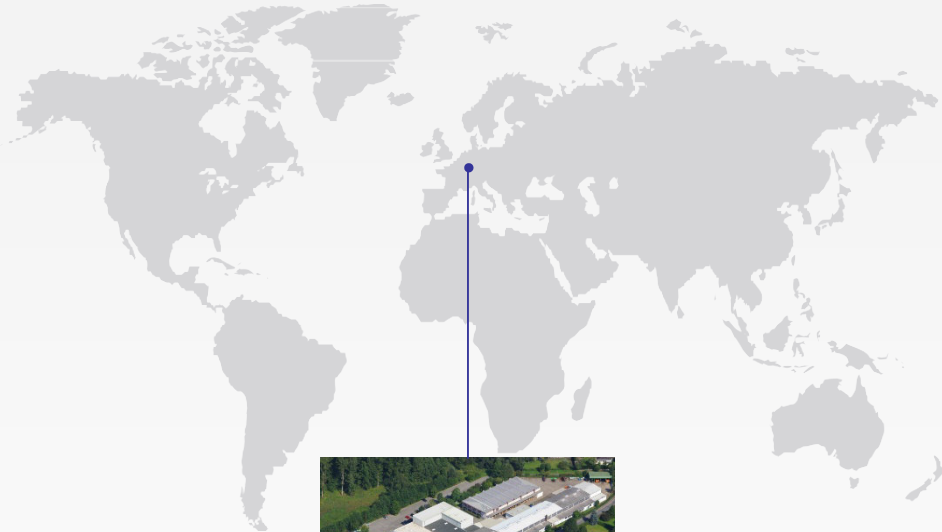


Materials

Item	Part Name	Carbon steel Model 350C up to 450°C	low temp. Carbon steel Model 350T -50°C up to 300°C	Stainless steel Model 350V -200°C up to 400°C
1	Body	1.0460 / 1.0619	1.0566 / 1.6220 / 1.1138	1.4404 / 1.4408
2	Disc	1.4021 hardened / 1.0460	1.4571 / 1.0566	1.4571
	Overlay	1.4009 (≈ 300HRB)	Stellite 6 (≈ 42HRC)	Stellite 6 (≈ 42HRC)
3	Bellows	1.4571	1.4571	1.4571
3.1	Guide ring	1.4571	1.4571	1.4571
4	Bonnet	1.0460 / 1.0619	1.0566 / 1.6220 / 1.1138	1.4404 / 1.4408
4.1	Stud bolt	1.7709	A4-70	A4-70
4.2	Hex. nut	1.7218	A4-70	A4-70
5	Stuffing box body	1.4571	1.4571	1.4571
6	Gland follower	1.0619	1.5638	1.4408
6.1	Stud bolt	Steel 5.6	A4-70	A4-70
6.2	Hex. nut	Steel 5	A4-70	A4-70
7	Lower stem	1.4571	1.4571	1.4571
8	Coupling	1.4408	1.4408	1.4408
9	Bridge	1.0460, QPQ-nitrided	1.0460, QPQ-nitrided	1.0460, QPQ-nitrided
10	Upper stem	1.4057	1.4057	1.4057
11	Handwheel	Cast iron	Cast iron	Cast iron
12	Pillar	1.0501	1.4057	1.4057
15	Packing	Graphite	PTFE-silk *	Graphite
18	Gasket	Grooved SS / graphite	Grooved SS / graphite	Grooved SS / graphite
24	Seat ring	1.4571	1.4571	1.4571

* 3 220°C Packing of pure graphite

Contact us



Volkmarsen, Germany

Sales and Operations

Phönix Valve Group GmbH

Volkmarsen, Germany
Phone: +49 5693 988 0
Email: info@phoenix-valvegroup.com
Website: www.phoenix-valvegroup.com

Phönix Armaturen Werke-Bregel GmbH

Volkmarsen, Germany
Phone: +49 5693 988 0
Email: info@phoenix-valvegroup.com
Website: www.phoenix-valvegroup.com

Strack GmbH

Volkmarsen, Germany
Phone: +49 5693 988 0
Email: info@phoenix-valvegroup.com
Website: www.phoenix-valvegroup.com

PAW SARL

Genay Cedex, France
Phone: +33 437 408 195
Email: commercial@phoenix-valvegroup.com
Website: www.phoenix-valvegroup.com

Daume Regelarmaturen GmbH

Volkmarsen, Germany
Phone: +49 5693 988 0
Email: info@phoenix-valvegroup.com
Website: www.phoenix-valvegroup.com

Solent & Pratt Phönix Ltd.

Volkmarsen, Germany
Phone: +49 5693 988 0
Email: info@phoenix-valvegroup.com
Website: www.phoenix-valvegroup.com



While this information is presented in good faith and believed to be accurate, Phönix Valve Group GmbH, does not guarantee satisfactory results from reliance on such information. Nothing contained herein is to be construed as a warranty or guarantee, expressed or implied, regarding the performance, merchantability, fitness or any other matter with respect to the products, nor as a recommendation to use any product or process in conflict with any patent. Phönix Valve Group GmbH, reserves the right, without notice, to alter or improve the designs or specifications of the products described herein.

© 2022 Phönix Valve Group. All rights reserved. Specifications are subject to change without notice. All trademarks are property of their respective owners

Printed in Germany
09/22-R0