

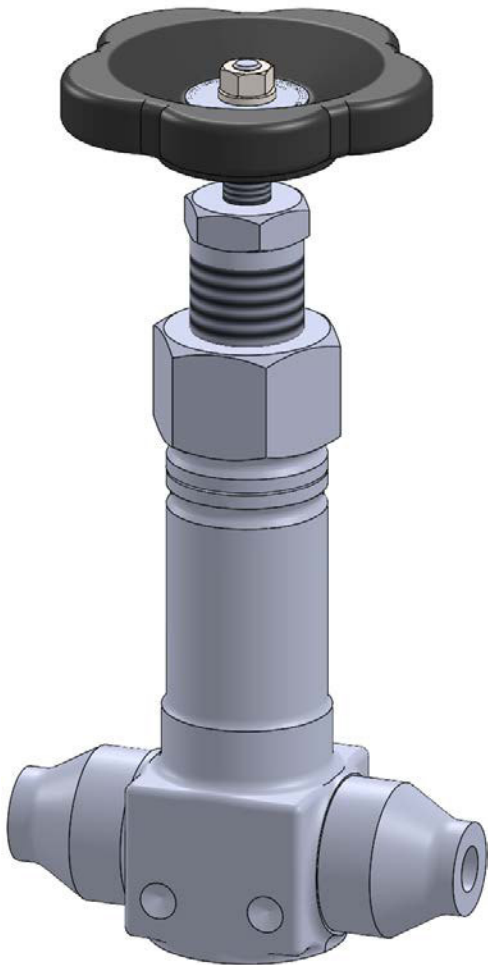


PHÖNIX

STRACK

DAUME
REGELARMATUREN

SIP Solent & Pratt
Phönix Ltd



Instrumentation Valve

Type 570

PN 250

Phönix Valve Group
Am Stadtbruch 6
34471 Volkmarsen

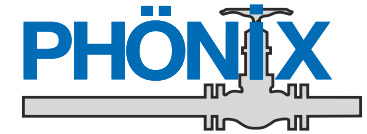
Phone:
web:
eMail:

+49 5693 988 0
www.phoenix-valvegroup.com
info@phoenix-valvegroup.com



Instrumentation valve / Type 570

DN 8
PN 250



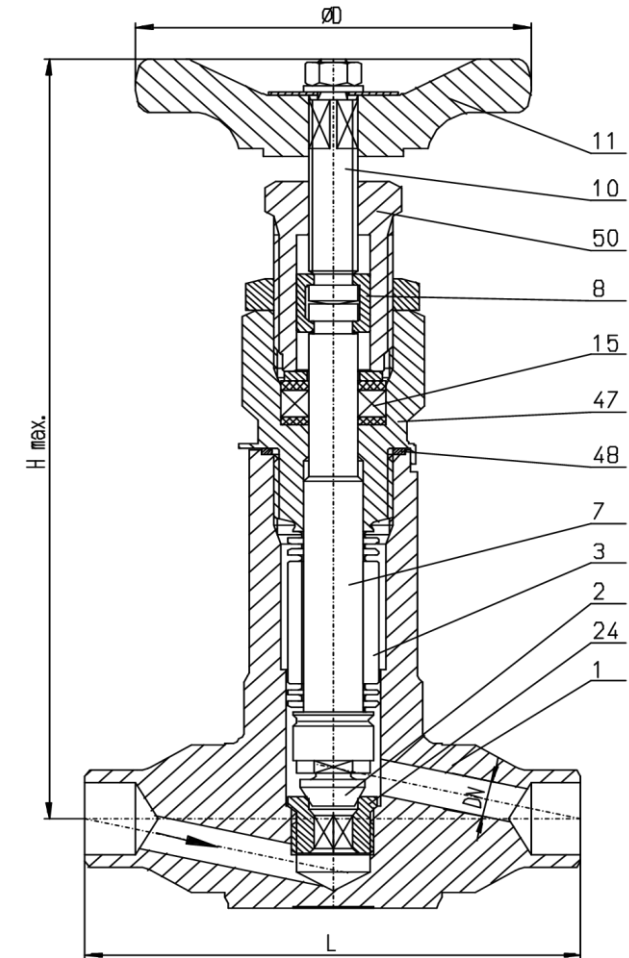
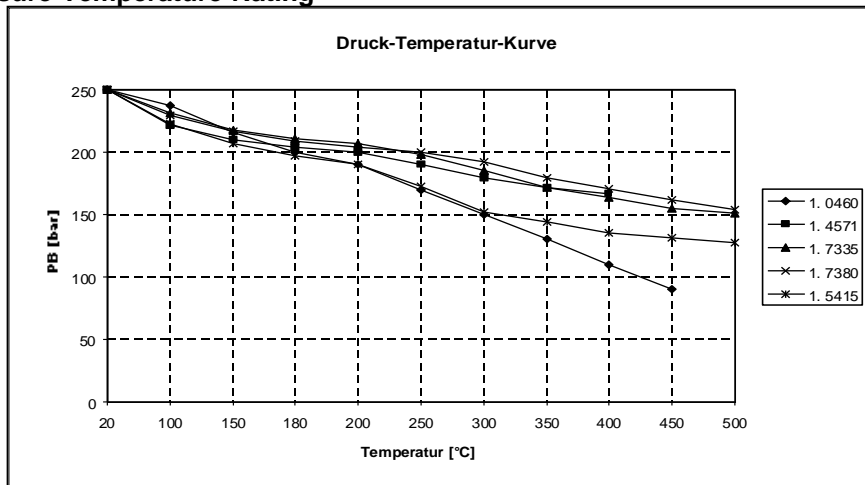
Design

Isolating valve, thru way type, forged body
Bellows, encapsulated, protected against erosion and abrasion by media flow
Multiple wall bellows
Designed up to 5000 operations
Additional back seat at fully opened valve
Additional emergency stuffing box
Coupled divided stem with outside thread, rising handwheel
Loose, renewable disc and seat, with conic metal-to-metal seal

Dimensions

PN 250	Size / DN	8
	L	100
	H	175
	D	80
	Weight (kg)	1,5

Pressure-Temperature-Rating

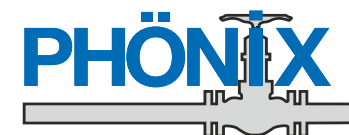


PHÖNIX reserves the right to change product design and specification without notice.

Instrumentation valve / Type 570

PN250 DN8

Material



Heat resistant carbon steel / **Type 570 C** Stainless steel / **Type 570 V**

Item	Part name	Heat resistant carbon steel / Type 570 C				Stainless steel / Type 570 V					
		Material up to 400°C	DIN	Material up to 500°C	DIN	Material up to 550°C	DIN	Material up to 500°C	DIN	Material from -270°C up to 400°C	DIN
1	Body	P250GH	1.0460	13CrMo4-5	1.7335	10 CrMo9-10	1.7380	16Mo3	1.5415	X 6CrNiMoTi17-12-2	1.4571
2	Disc	X20Cr13	1.4021	Colmonoy 4		Colmonoy 4		Colmonoy 4		Colmonoy 4	
3	Bellows	X 6CrNiMoTi17-12-2	1.4571	X 6CrNiMoTi17-12-2	1.4571	X 6CrNiMoTi17-12-2	1.4571	X 6CrNiMoTi17-12-2	1.4571	X 6CrNiMoTi17-12-2	1.4571
7	Lower Stem	X 6CrNiMoTi17-12-2	1.4571	X 6CrNiMoTi17-12-2	1.4571	X20CrMoV11-1	1.4922	X 6CrNiMoTi17-12-2	1.4571	X 6CrNiMoTi17-12-2	1.4571
8	Coupling	G-X 5 CrNiNb 18 9	1.4552	G-X 5 CrNiNb 18 9	1.4552	G-X 5 CrNiNb 18 9	1.4552	G-X 5 CrNiNb 18 9	1.4552	G-X 5 CrNiNb 18 9	1.4552
10	Upper Stem	X17CrNi16-2	1.4057	X17CrNi16-2	1.4057	X17CrNi16-2	1.4057	X17CrNi16-2	1.4057	X17CrNi16-2	1.4057
11	Handwheel	0.8040 or PA 6-BKV		0.8040 or PA 6-BKV		0.8040 or PA 6-BKV		0.8040 or PA 6-BKV		0.8040 or PA 6-BKV	
15	Packing	Pure graphite		Pure graphite		Pure graphite		Pure graphite		Pure graphite	
24	Seat	X 6CrNiMoTi17-12-2	1.4571	X 6CrNiMoTi17-12-2	1.4571	X20CrMoV11-1	1.4922	X 6CrNiMoTi17-12-2	1.4571	X 6CrNiMoTi17-12-2	1.4571
47	Stem guide	X 6CrNiMoTi17-12-2	1.4571	X 6CrNiMoTi17-12-2	1.4571	X 6CrNiMoTi17-12-2	1.4571	X 6CrNiMoTi17-12-2	1.4571	X 6CrNiMoTi17-12-2	1.4571
48	Gasket, crowned	X 6CrNiMoTi17-12-2	1.4571	X 6CrNiMoTi17-12-2	1.4571	X 6CrNiMoTi17-12-2	1.4571	X 6CrNiMoTi17-12-2	1.4571	X 6CrNiMoTi17-12-2	1.4571
50	Stem nut	X 6CrNiMoTi17-12-2	1.4571	X 6CrNiMoTi17-12-2	1.4571	X 6CrNiMoTi17-12-2	1.4571	X 6CrNiMoTi17-12-2	1.4571	X 6CrNiMoTi17-12-2	1.4571

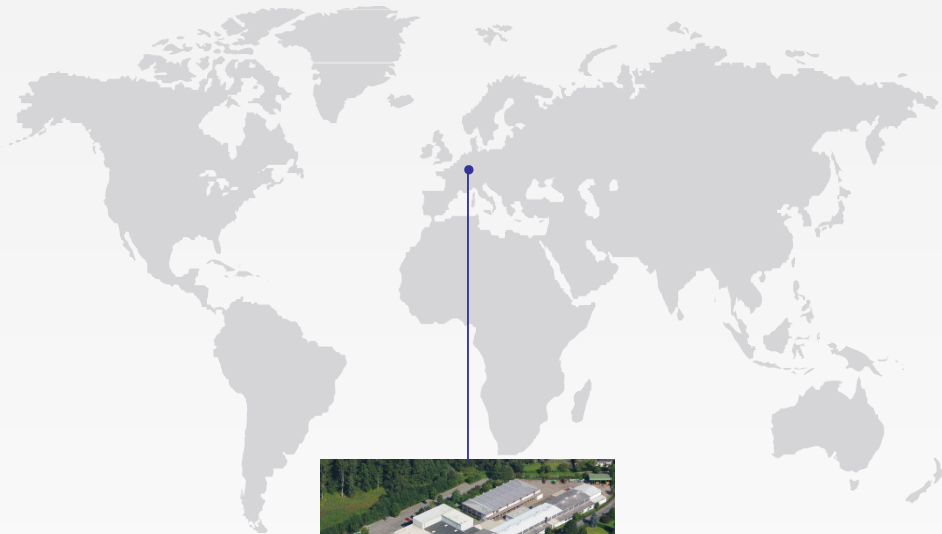
Special materials on request.

Specification

Marking EN19, AD-A4
 Standard connections Butt weld ends for pipe with outside diameter up to 33mm
 Testing standard AD-2000, DIN 3230 section 3, DIN EN 12266

PHÖNIX reserves the right to change product design and specification without notice.

Contact us



Volkmarsen, Germany

Sales and Operations

Phönix Valve Group GmbH

Volkmarsen, Germany
Phone: +49 5693 988 0
Email: info@phoenix-valvegroup.com
Website: www.phoenix-valvegroup.com

Phönix Armaturen Werke-Bregel GmbH

Volkmarsen, Germany
Phone: +49 5693 988 0
Email: info@phoenix-valvegroup.com
Website: www.phoenix-valvegroup.com

Strack GmbH

Volkmarsen, Germany
Phone: +49 5693 988 0
Email: info@phoenix-valvegroup.com
Website: www.phoenix-valvegroup.com

PAW SARL

Genay Cedex, France
Phone: +33 437 408 195
Email: commercial@phoenix-valvegroup.com
Website: www.phoenix-valvegroup.com

Daume Regelarmaturen GmbH

Volkmarsen, Germany
Phone: +49 5693 988 0
Email: info@phoenix-valvegroup.com
Website: www.phoenix-valvegroup.com

Solent & Pratt Phönix Ltd.

Volkmarsen, Germany
Phone: +49 5693 988 0
Email: info@phoenix-valvegroup.com
Website: www.phoenix-valvegroup.com



While this information is presented in good faith and believed to be accurate, Phönix Valve Group GmbH, does not guarantee satisfactory results from reliance on such information. Nothing contained herein is to be construed as a warranty or guarantee, expressed or implied, regarding the performance, merchantability, fitness or any other matter with respect to the products, nor as a recommendation to use any product or process in conflict with any patent. Phönix Valve Group GmbH, reserves the right, without notice, to alter or improve the designs or specifications of the products described herein.

© 2022 Phönix Valve Group. All rights reserved. Specifications are subject to change without notice. All trademarks are property of their respective owners

Printed in Germany
09/22-R0