



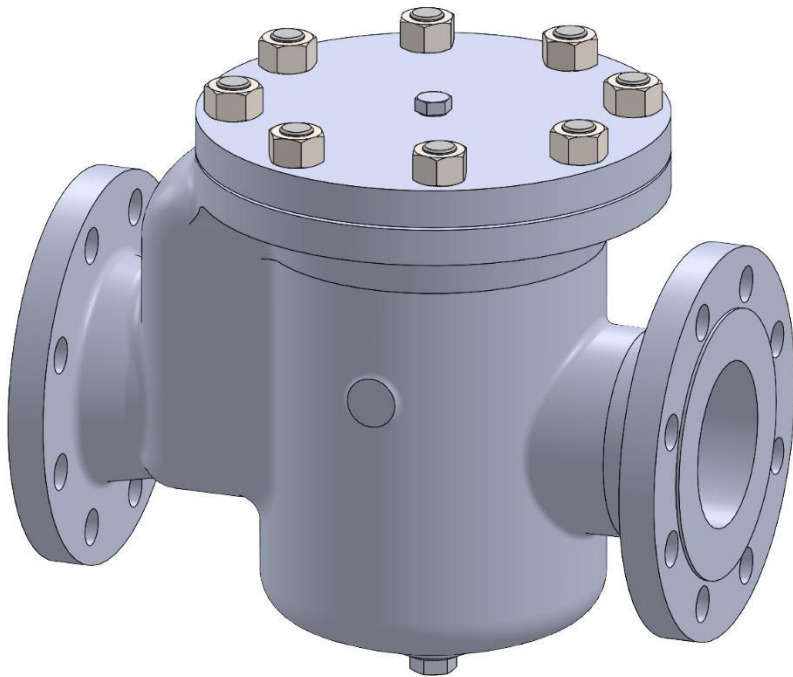
**PHÖNIX**

**STRACK**

**DAUME**  
REGELARMATUREN



**Solent & Pratt**  
Phoenix Ltd



# Strainer

## Type 820

### PN 40

Phönix Valve Group  
Am Stadtbruch 6  
34471 Volkmarsen

Phone:  
web:  
eMail:

+49 5693 988 0  
[www.phoenix-valvegroup.com](http://www.phoenix-valvegroup.com)  
[info@phoenix-valvegroup.com](mailto:info@phoenix-valvegroup.com)



# Strainer basket type / Type 820

PN40 DN15-DN400



## Design

Inserts totally of stainless steel  
Easy replaceable basket inserts  
Extremely huge filtrating area

Filter net acc. to DIN ISO 4783, Standard:

576 Meshes/cm<sup>2</sup>, i.e.

Mesh width = 0,25mm

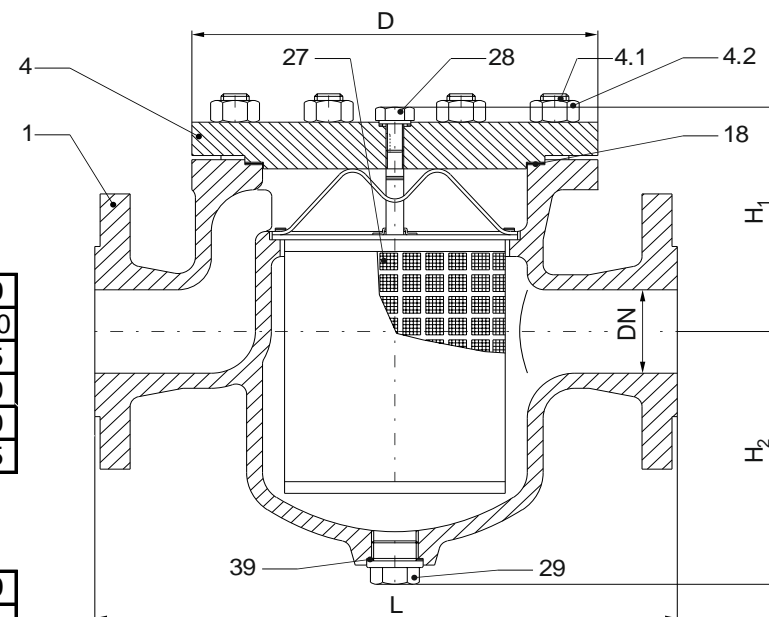
CE 0525

## Dimensions

PN 40	Size / DN	15	20	25	32	40	50	65	80	100	125	150	200	250	300	350	400
	L	160	180	195	230	260	330	340	390	410	500	530	630	865	850	-	1100
H1	85	95	90	110	115	150	120	190	215	270	285	350	465	520	-	625	
H2	95	100	105	120	120	155	160	165	165	215	220	360	435	590	-	470	
D	105	125	125	170	190	230	230	265	280	350	350	420	580	560	-	680	
Weight ( kg )	4	7	9	15	19	27	35	50	57	100	122	260	390	657	-	925	

## Drag coefficient / Flow coefficient

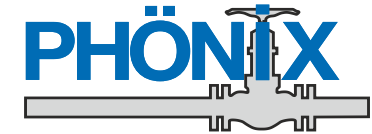
Size / DN	15	20	25	32	40	50	65	80	100	125	150	200	250	300	350	400
$\zeta_v [-]$	3,5	2,5	5,1	4,1	3,1	4,4	4,7	5	7,5	7,9	8	5,9	5,8	5,9	-	6,1
$k_v [m^3/h]$	4,8	10	11	20	36	47	77	113	145	220	260	650	850	1480	-	2590



PHÖNIX reserves the right to change product design and specification without notice.

# Strainer basket type / Type 820

PN16/ 25/ 40/ 63 DN15 - DN400



## Materials

Item	Part name	Heat resistant carbon steel / Type 820 C		Stainless steel / Type 820 V	
		Material * up to 450°C	DIN	Material * from -200°C up to 400°C	DIN
1	Body	P250GH	1.0460	X2CrNiMo17-12-2	1.4404
		GP240GH	1.0619	GX5CrNiMo19-11-2	1.4408
4	Bonnet	P250GH	1.0460	X2CrNiMo17-12-2	1.4404
4.1	Stud bolt	21CrMoV5-7	1.7709	A4-70	
4.2	Hex.nut	25CrMo4	1.7218	A4-70	
18	Bonnet gasket	Stainless steel / graphite		Stainless steel / graphite	
27	Strainer	X6CrNiMoTi17-12-2	1.4571	X6CrNiMoTi17-12-2	1.4571
		X5CrNiMo17-12-2	1.4401		
28	Vent srew	X6CrNiMoTi17-12-2	1.4571	X6CrNiMoTi17-12-2	1.4571
29	Drain screw	X6CrNiMoTi17-12-2	1.4571	X6CrNiMoTi17-12-2	1.4571
39	Gasket for drain screw		1.1003		1.1003

**Special materials on request.**

\* Pressure-Temperature-Rating see appendix

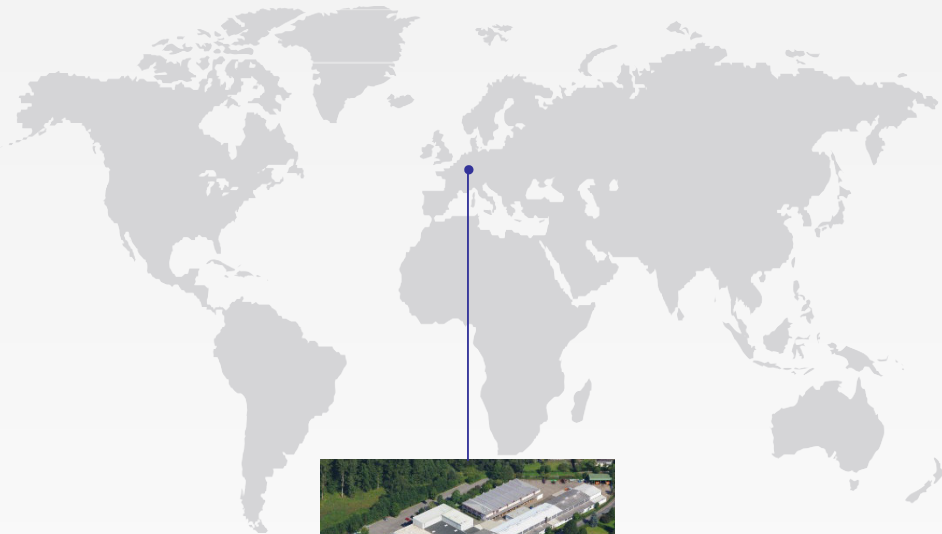
## Specification

Marking	EN19, AD-A4, CE
Face-to-face dimensions	
Flanged option	Manufacturer standard
Butt weld ends	Manufacturer standard
Socket weld ends	Manufacturer standard
Connections	
Flanged option	DIN EN 1092-1 up to PN100
Butt weld ends	DIN EN 12627
Socket weld ends	DIN EN 12760
Testing standard	AD-2000, DIN 3230 section 3, DIN EN 12266

PHÖNIX reserves the right to change product design and specification without notice.

PHÖNIX • P +49 5693 988-0 • F +49 5693 988-178 • info@phoenix-valvegroup.com • https://phoenix-valvegroup.com

# Contact us



Volkmarsen, Germany

## Sales and Operations

### Phönix Valve Group GmbH

Volkmarsen, Germany  
Phone: +49 5693 988 0  
Email: [info@phoenix-valvegroup.com](mailto:info@phoenix-valvegroup.com)  
Website: [www.phoenix-valvegroup.com](http://www.phoenix-valvegroup.com)

### Phönix Armaturen Werke-Bregel GmbH

Volkmarsen, Germany  
Phone: +49 5693 988 0  
Email: [info@phoenix-valvegroup.com](mailto:info@phoenix-valvegroup.com)  
Website: [www.phoenix-valvegroup.com](http://www.phoenix-valvegroup.com)

### Strack GmbH

Volkmarsen, Germany  
Phone: +49 5693 988 0  
Email: [info@phoenix-valvegroup.com](mailto:info@phoenix-valvegroup.com)  
Website: [www.phoenix-valvegroup.com](http://www.phoenix-valvegroup.com)

### PAW SARL

Genay Cedex, France  
Phone: +33 437 408 195  
Email: [commercial@phoenix-valvegroup.com](mailto:commercial@phoenix-valvegroup.com)  
Website: [www.phoenix-valvegroup.com](http://www.phoenix-valvegroup.com)

### Daume Regelarmaturen GmbH

Volkmarsen, Germany  
Phone: +49 5693 988 0  
Email: [info@phoenix-valvegroup.com](mailto:info@phoenix-valvegroup.com)  
Website: [www.phoenix-valvegroup.com](http://www.phoenix-valvegroup.com)

### Solent & Pratt Phönix Ltd.

Volkmarsen, Germany  
Phone: +49 5693 988 0  
Email: [info@phoenix-valvegroup.com](mailto:info@phoenix-valvegroup.com)  
Website: [www.phoenix-valvegroup.com](http://www.phoenix-valvegroup.com)



While this information is presented in good faith and believed to be accurate, Phönix Valve Group GmbH, does not guarantee satisfactory results from reliance on such information. Nothing contained herein is to be construed as a warranty or guarantee, expressed or implied, regarding the performance, merchantability, fitness or any other matter with respect to the products, nor as a recommendation to use any product or process in conflict with any patent. Phönix Valve Group GmbH, reserves the right, without notice, to alter or improve the designs or specifications of the products described herein.

© 2022 Phönix Valve Group. All rights reserved. Specifications are subject to change without notice. All trademarks are property of their respective owners

Printed in Germany  
09/22-R0