

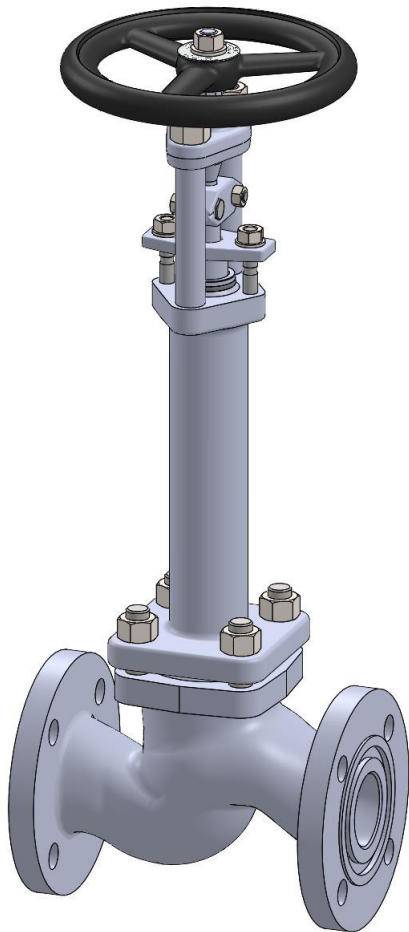


PHÖNIX

STRACK

DAUME
REGELARMATUREN

SIP Solent & Pratt
Phönix Ltd



Globe Valve

Type 941

PN 25

Phönix Valve Group
Am Stadtbruch 6
34471 Volkmarsen

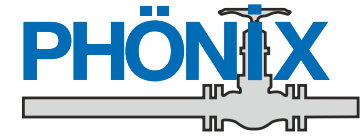
Phone:
web:
eMail:

+49 5693 988 0
www.phoenix-valvegroup.com
info@phoenix-valvegroup.com



Globe valve / Type 941 for cryogenic application

PN25 DN15 - DN150



Design

- Long isolating distance for use in refrigerating circuits and air separation plans
- Bellows highly protected
- Up to 50.000 operations guaranteed
- Multiple-wall bellows, protected against torquing
- Additional emergency stuffing box
- Rotating disc with conic metal-to-metal seal

CE 0525

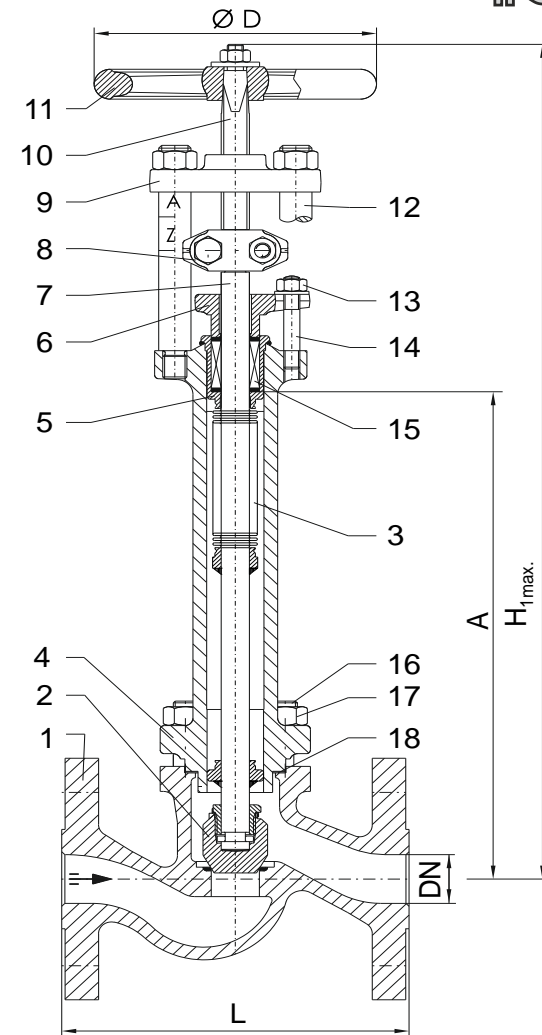
Dimensions

| PN25 | Size / DN | 15 | 20 | 25 | 32 | 40 | 50 | 65 | 80 | 100 | 125 | 150 |
|---------------|-----------|-----|-----|-----|-----|-----|-----|-----|-----|-----|------|-----|
| | L | 130 | 150 | 160 | 180 | 200 | 230 | 290 | 310 | 350 | 400 | 480 |
| H | 630 | 630 | 630 | 670 | 670 | 670 | 690 | 910 | 950 | 950 | 1080 | |
| ØD | 150 | 150 | 150 | 200 | 200 | 200 | 200 | 250 | 315 | 315 | 400 | |
| A | 300 | 300 | 300 | 300 | 300 | 300 | 300 | 600 | 600 | 600 | 600 | |
| Weight (kg) | 8 | 9 | 10 | 16 | 18 | 21 | 30 | 41 | 62 | 98 | 128 | |

Drag coefficient / Flow coefficient

| Size / DN | 15 | 20 | 25 | 32 | 40 | 50 | 65 | 80 | 100 | 125 | 150 |
|---------------|-----|-----|-----|-----|-----|------|-----|-----|-----|-----|-----|
| ζ_v [-] | 6,9 | 5,1 | 8,9 | 5,1 | 9,1 | 10,2 | 4,6 | 5 | 4,9 | 5,9 | 4,9 |
| k_v [m³/h] | 3,4 | 7 | 8,3 | 18 | 21 | 31 | 78 | 113 | 179 | 256 | 405 |

PHÖNIX reserves the right to change product design and specification without notice.



Globe valve / Type 941 for cryogenic application

PN16/ 25/ 40/ 63/ 100/ 160 DN15 - DN150

Materials



| | | Stainless steel / Type 941 V | |
|------|-------------------|---|--------|
| Item | Part name | Material * from -200°C up to 400°C | DIN |
| 1 | Body | X2CrNiMo17-12-2 | 1.4404 |
| | Overlay | GX5CrNiMo19-11-2 like body (≈ 200 HRB) | 1.4408 |
| 2 | Disc | X6CrNiMoTi17-12-2 | 1.4571 |
| | Overlay | _ *** | |
| 3 | Bellows | X6CrNiMoTi17-12-2 | 1.4571 |
| 4 | Bonnet | X2CrNiMo17-12-2 | 1.4404 |
| 5 | Stuffing box body | X6CrNiMoTi17-12-2 | 1.4571 |
| 6 | Gland follower | GX5CrNiMo19-11-2 | 1.4408 |
| 7 | Lower Stem | X6CrNiMoTi17-12-2 | 1.4571 |
| 8 | Coupling | GX5CrNiMo19-11-2 | 1.4408 |
| 9 | Bridge | P250GH / QPQ-nitrited | 1.0460 |
| 10 | Upper Stem | X17CrNi16-2 | 1.4057 |
| 11 | Handwheel | EN-GJS-400-15 | 0.7040 |
| 12 | Pillar | X17CrNi16-2 | 1.4057 |
| 13 | Hex.nut | A4-70 | |
| 14 | Stud bolt | A4-70 | |
| 15 | Packing | PTFE-Silk** | |
| 16 | Stud bolt | A4-70 | |
| 17 | Hex.nut | A4-70 | |
| 18 | Bonnet gasket | Kamprofil / Stainless steel / PTFE | |

* Pressure-temperature-rating see appendix

** ≥ 220°C Packing of pure graphite

*** on request Stellite 6 (≈ 42 HRC)

Special materials on request.

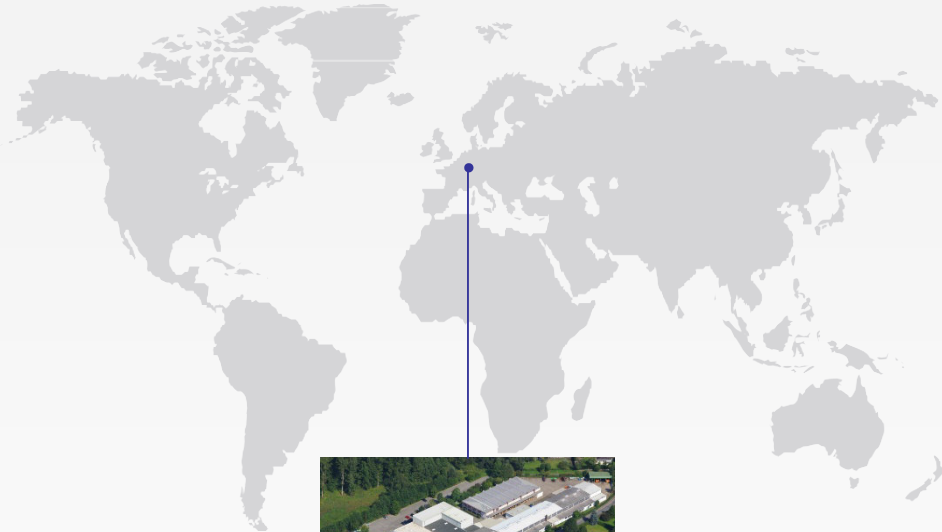
Specification

| | | |
|--------------------------|------------------|--|
| Marking: | | EN19, AD-A4, CE |
| Face-to-face dimensions: | Flanged option | DIN EN 558-1 |
| | Butt weld ends | DIN EN 12982 up to PN100 |
| | Socket weld ends | |
| Connections: | Flanged option | DIN EN 1092-1 up to PN100 / DIN 2512 PN160 |
| | Butt weld ends | DIN EN 12627 |
| | Socket weld ends | DIN EN 12760 |
| Testing standard | | AD-2000, DIN 3230 section 3, DIN EN 12266 |

PHÖNIX reserves the right to change product design and specification without notice.

PHÖNIX • P +49 5693 988-0 • F +49 5693 988-178 • info@phoenix-valvegroup.com • https://phoenix-valvegroup.com

Contact us



Volkmarsen, Germany

Sales and Operations

Phönix Valve Group GmbH

Volkmarsen, Germany
Phone: +49 5693 988 0
Email: info@phoenix-valvegroup.com
Website: www.phoenix-valvegroup.com

Phönix Armaturen Werke-Bregel GmbH

Volkmarsen, Germany
Phone: +49 5693 988 0
Email: info@phoenix-valvegroup.com
Website: www.phoenix-valvegroup.com

Strack GmbH

Volkmarsen, Germany
Phone: +49 5693 988 0
Email: info@phoenix-valvegroup.com
Website: www.phoenix-valvegroup.com

PAW SARL

Genay Cedex, France
Phone: +33 437 408 195
Email: commercial@phoenix-valvegroup.com
Website: www.phoenix-valvegroup.com

Daume Regelarmaturen GmbH

Volkmarsen, Germany
Phone: +49 5693 988 0
Email: info@phoenix-valvegroup.com
Website: www.phoenix-valvegroup.com

Solent & Pratt Phönix Ltd.

Volkmarsen, Germany
Phone: +49 5693 988 0
Email: info@phoenix-valvegroup.com
Website: www.phoenix-valvegroup.com



While this information is presented in good faith and believed to be accurate, Phönix Valve Group GmbH, does not guarantee satisfactory results from reliance on such information. Nothing contained herein is to be construed as a warranty or guarantee, expressed or implied, regarding the performance, merchantability, fitness or any other matter with respect to the products, nor as a recommendation to use any product or process in conflict with any patent. Phönix Valve Group GmbH, reserves the right, without notice, to alter or improve the designs or specifications of the products described herein.

© 2022 Phönix Valve Group. All rights reserved. Specifications are subject to change without notice. All trademarks are property of their respective owners

Printed in Germany
09/22-R0