



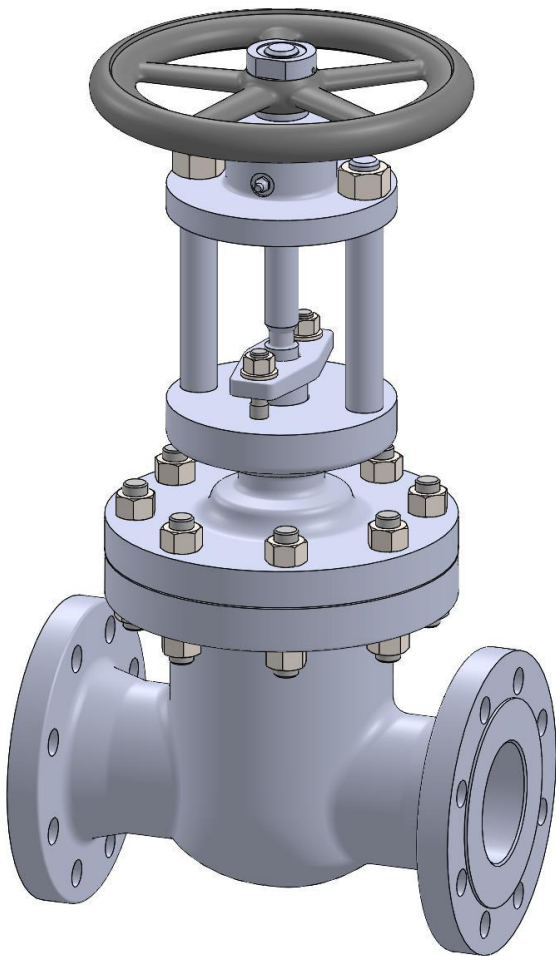
**PHÖNIX**

**STRACK**

**DAUME**  
REGELARMATUREN



**Solent & Pratt**  
Phoenix Ltd



# Gate Valve

## Type S04

### PN 40 - 100

Phönix Valve Group  
Am Stadtbruch 6  
34471 Volkmarsen

Phone:  
web:  
eMail:

+49 5693 988 0  
[www.phoenix-valvegroup.com](http://www.phoenix-valvegroup.com)  
[info@phoenix-valvegroup.com](mailto:info@phoenix-valvegroup.com)



# Gate Valve / S04

DN 50 - 500

PN 40 / 63 / 100



## Design

- Gate Valve of cast steel
- With outside screw
- With flexible wedge
- Threaded bush with needle bearings
- Flanged ends or butt-weld ends
- Full bore, straight way
- Stem sealed by stuffing box
- Additional back seat at fully opened valve

## Dimensions

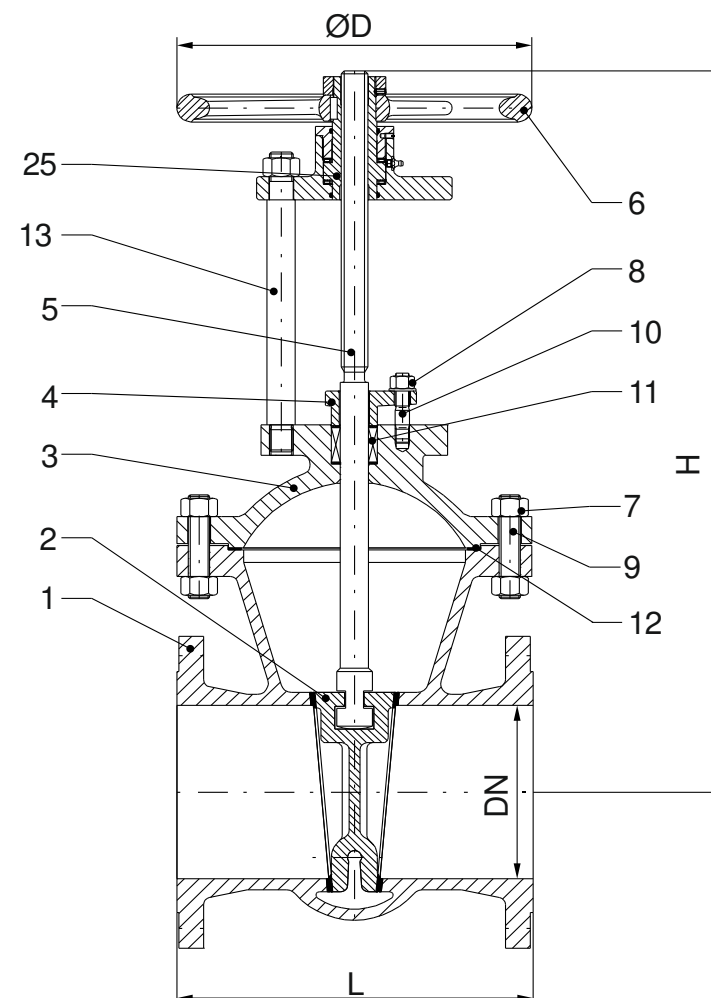
PN 40	Size / DN	50	80	100	150	200	250	300	350	400	500
	L	250	310	350	450	550	650	750	850	950	1150
	H	435	600	706	905	1075	1345	1570	1670	1920	2280
	D	250	360	400	500	560	630	630	720	720	800
	Weight (kg)	30	52	79	135	219	410	530	740	890	1500

PN 63	Size / DN	50	80	100	150	200	250	300	350	400	500
	L	250	310	350	450	550	650	750	850	950	1150
	H	435	600	706	1030	1265	1400	1550	1760	2010	2360
	D	250	360	400	500	560	630	630	720	720	800
	Weight (kg)	37	62	99	190	335	530	650	890	1400	2500

PN 100	Size / DN	50	80	100	150	200	250	300	350	400	500
	L	250	310	350	450	550	650	750	850	950	-
	H	435	670	780	960	1265	1550	1750	2060	2300	-
	D	250	360	400	500	560	630	630	720	720	-
	Weight (kg)	37	62	104	225	346	460	840	1360	1650	-

## Drag coefficient / Flow coefficient

Size / DN	50	80	100	150	200	250	300	350	400	500
$\zeta_v$ [-]	0,25	0,25	0,25	0,25	0,25	0,25	0,25	0,25	0,25	0,25
$k_v$ [m <sup>3</sup> /h]	199	511	799	1799	3200	5000	7200	9800	12800	20000



PHÖNIX reserves the right to change product design and specification without notice.

# Gate Valve / S04

PN40 / 63 / 100 DN50 - DN500

## Materials



Item	Part name	Heat resistant carbon steel				Low temperature steel		Stainless steel	
		Material * from -10°C up to 400°C	DIN	Material * from -10°C up to 500°C	DIN	Material * from -50°C up to 300°C	DIN	Material * from -270°C up to 400°C	DIN
1	Body	GP240GH	1.0619	G12CrMo19-5	1.7363	G21Mn 5	1.1138	GX5CrNiMo19-11-2	1.4408
	Overlay	G 18 8Mn (≈ 200 HRB)	1.4370***	G 18 8Mn (≈ 200 HRB)	1.4370***	G 18 8Mn (≈ 200 HRB)	1.4370***		
2	Wedge	GP240GH	1.0619	G12CrMo19-5	1.7363	G21Mn 5	1.1138	GX5CrNiMo19-11-2	1.4408
	Overlay	G Z 13 (≈ 300 HRB)	1.4009***	Stellite 6 (≈ 42 HRC)		Stellite 6 (≈ 42 HRC)		Stellite 6 (≈ 42 HRC)	
3	Bonnet	GP240GH	1.0619	G12CrMo19-5	1.7363	G21Mn 5	1.1138	GX5CrNiMo19-11-2	1.4408
4	Gland follower	GP240GH	1.0619	GP240GH	1.0619	GS-10Ni14	1.5638	X6CrNiMoTi17-12-2	1.4571
5	Stem	X20Cr13	1.4021	X20CrMoV11-1	1.4922	X6CrNiMoTi17-12-2	1.4571	X6CrNiMoTi17-12-2	1.4571
6	Handwheel	EN-GJS-400-15	0.7040	EN-GJS-400-15	0.7040	EN-GJS-400-15	0.7040	EN-GJS-400-15	0.7040
8	Hex.nut	Steel	5	Steel	5	A4-70		A4-70	
10	Stud bolt	Steel	5.6	Steel	5.6	A4-70		A4-70	
11	Packing	Graphite		Graphite		PTFE-Silk**		Graphite	
9	Stud bolt	21CrMoV5-7	1.7709	21CrMoV5-7	1.7709	A4-70		A4-70	
7	Hex.nut	25CrMo4	1.7218	25CrMo4	1.7218	A4-70		A4-70	
12	Bonnet gasket	Kammprofil / Graphite + S.S.		Kammprofil / Graphite + S.S.		Kammprofil / Graphite + S.S.		Kammprofil / Graphite + S.S.	
13	Pillar	C35	1.0501	C35	1.0501	X17CrNi16-2	1.4057	X17CrNi16-2	1.4057
25	Threaded bushing	X17CrNi16-2	1.4057	X17CrNi16-2	1.4057	X17CrNi16-2	1.4057	X17CrNi16-2	1.4057

Special materials on request.

\* Pressure-temperature-rating see appendix

\*\* ≥ 220°C Packing of pure graphite

\*\*\* Stellite on request

## Specification

Marking	EN19, AD-A4, CE
Face-to-face dimensions	
Flanged option	DIN EN 558-1 Row 26
Butt weld ends	DIN EN 12982 up to PN100
Socket weld ends	
Connections	
Flanged option	DIN EN 1092-1 up to PN100
Butt weld ends	DIN EN 12627
Socket weld ends	DIN EN 12760
Testing standard	AD-2000, DIN 3230 section 3 <sup>^</sup> , DIN EN 12266

# Contact us



Volkmarsen, Germany

## Sales and Operations

### Phönix Valve Group GmbH

Volkmarsen, Germany  
Phone: +49 5693 988 0  
Email: [info@phoenix-valvegroup.com](mailto:info@phoenix-valvegroup.com)  
Website: [www.phoenix-valvegroup.com](http://www.phoenix-valvegroup.com)

### Phönix Armaturen Werke-Bregel GmbH

Volkmarsen, Germany  
Phone: +49 5693 988 0  
Email: [info@phoenix-valvegroup.com](mailto:info@phoenix-valvegroup.com)  
Website: [www.phoenix-valvegroup.com](http://www.phoenix-valvegroup.com)

### Strack GmbH

Volkmarsen, Germany  
Phone: +49 5693 988 0  
Email: [info@phoenix-valvegroup.com](mailto:info@phoenix-valvegroup.com)  
Website: [www.phoenix-valvegroup.com](http://www.phoenix-valvegroup.com)

### PAW SARL

Genay Cedex, France  
Phone: +33 437 408 195  
Email: [commercial@phoenix-valvegroup.com](mailto:commercial@phoenix-valvegroup.com)  
Website: [www.phoenix-valvegroup.com](http://www.phoenix-valvegroup.com)

### Daume Regelarmaturen GmbH

Volkmarsen, Germany  
Phone: +49 5693 988 0  
Email: [info@phoenix-valvegroup.com](mailto:info@phoenix-valvegroup.com)  
Website: [www.phoenix-valvegroup.com](http://www.phoenix-valvegroup.com)

### Solent & Pratt Phönix Ltd.

Volkmarsen, Germany  
Phone: +49 5693 988 0  
Email: [info@phoenix-valvegroup.com](mailto:info@phoenix-valvegroup.com)  
Website: [www.phoenix-valvegroup.com](http://www.phoenix-valvegroup.com)



While this information is presented in good faith and believed to be accurate, Phönix Valve Group GmbH, does not guarantee satisfactory results from reliance on such information. Nothing contained herein is to be construed as a warranty or guarantee, expressed or implied, regarding the performance, merchantability, fitness or any other matter with respect to the products, nor as a recommendation to use any product or process in conflict with any patent. Phönix Valve Group GmbH, reserves the right, without notice, to alter or improve the designs or specifications of the products described herein.

© 2022 Phönix Valve Group. All rights reserved. Specifications are subject to change without notice. All trademarks are property of their respective owners

Printed in Germany  
09/22-R0