



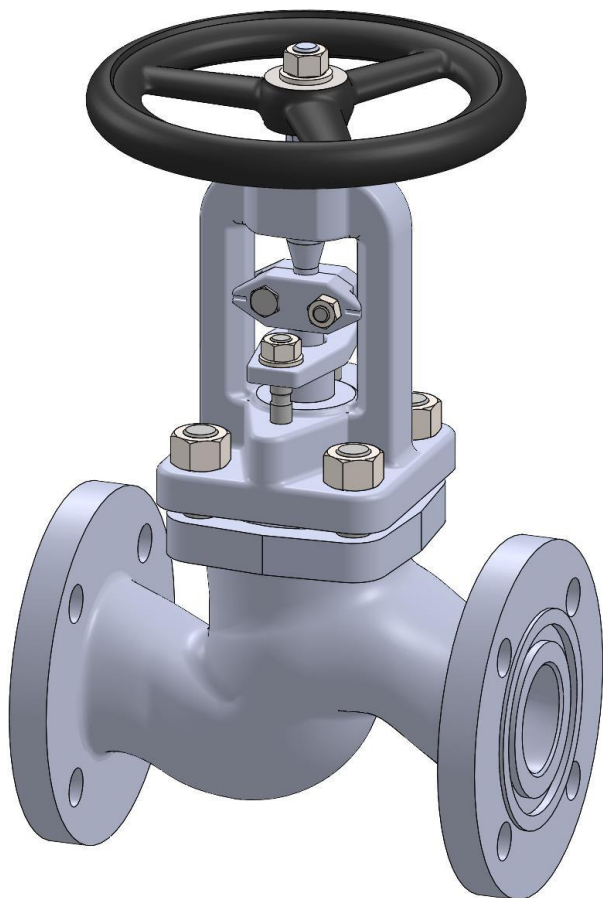
**PHÖNIX**

**STRACK**

**DAUME**  
REGELARMATUREN



**Solent & Pratt**  
Phönix Ltd



# Globe Valve

## Type S20/ S24/ 430

## PN 40

Phönix Valve Group  
Am Stadtbruch 6  
34471 Volkmarsen

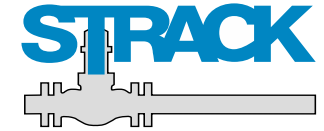
Phone:  
web:  
eMail:

+49 5693 988 0  
[www.phoenix-valvegroup.com](http://www.phoenix-valvegroup.com)  
[info@phoenix-valvegroup.com](mailto:info@phoenix-valvegroup.com)



# Globe Valve S20/ S24/ 430

## PN40 DN15 - DN50



### Design

- Construction of forged components
- Flanged ends and Butt weld ends
- Rotating loose disc with conic metal-to-metal seal
- Stem sealed by stuffing box
- Additional back seat at fully opened valve
- Rising handwheel

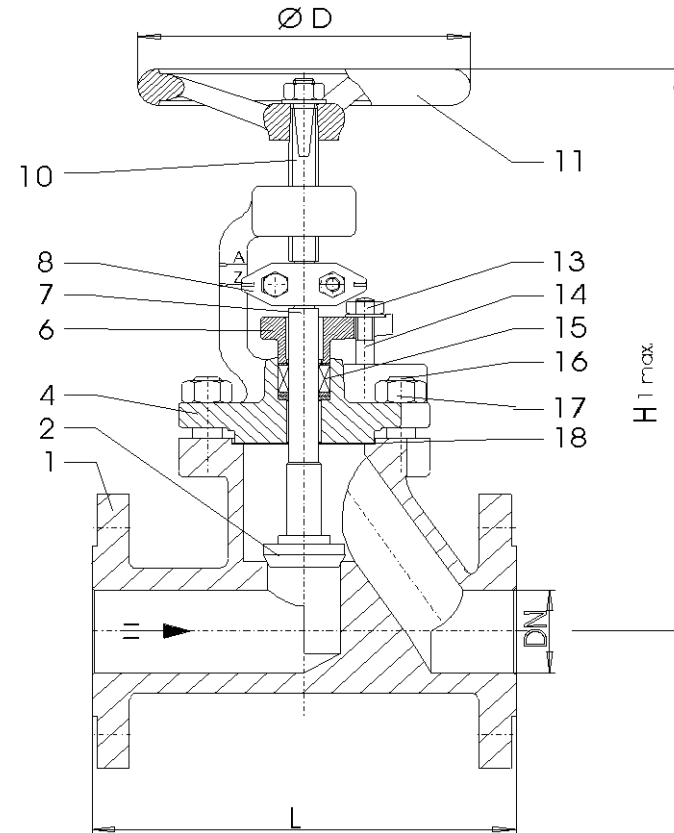
### Dimensions

PN40	Size / DN	15	20	25	32	40	50
	L <sub>Flange</sub>	130	150	160	180	200	230
	H	275	255	275	315	315	350
	D	150	150	150	200	200	200
	Weight ( kg )	5,5	7	7	10	13	15

### Drag coefficient / Flow coefficient

Size / DN	15	20	25	32	40	50
$\zeta_v$ [-]	6,2	4,7	7,7	5,7	5,5	9,7
$k_v$ [m <sup>3</sup> /h]	3,6	7,4	9	17	27	32

PHÖNIX reserves the right to change product design and specification without notice.



# Globe Valve S20/ S24/ 430

PN16/ 25/ 40/ 63/ 100/ 160 DN15 - DN50



## Materials

Item	Part name	Heat resistant carbon steel				Low temperature steel		Stainless steel	
		Material * up to 400°C	DIN	Material * from -10°C up to 500°C		Material * from -50°C up to 300°C	DIN	Material * from -200°C up to 400°C	DIN
1	Body	P250GH	1.0460	12CrMo19-5	1.7362	P355NL1	1.0566	X2CrNiMo17-12-2	1.4404
	Overlay	G 18 8Mn (≈ 200 HRB)	1.4370	Stellite 21 (≈ 32 HRC)		G 18 8Mn (≈ 200 HRB)	1.4370		
	Overlay	GP240GH	1.0619	G12CrMo19-5	1.7363	G21Mn 5	1.1138	GX5CrNiMo19-11-2	1.4408
2	Disc	X20Cr13	1.4021	12CrMo19-5	1.7362	X6CrNiMoTi17-12-2	1.4571	X6CrNiMoTi17-12-2	1.4571
	Overlay	G Z 13 (≈ 300 HRB)	1.4009	Stellite 6 (≈ 42 HRC)		Stellite 6 (≈ 42 HRC)		Stellite 6 (≈ 42 HRC)	
4	Bonnet	P250GH	1.0460	12CrMo19-5	1.7362	P355NL1	1.0566	X2CrNiMo17-12-2	1.4404
6	Gland follower	GP240GH	1.0619	GP240GH	1.0619	G9Ni14	1.5638	X6CrNiMoTi17-12-2	1.4571
7	Lower Stem	X20Cr13	1.4021	X20CrMoV11-1	1.4922	X6CrNiMoTi17-12-2	1.4571	X6CrNiMoTi17-12-2	1.4571
8	Coupling	GX5CrNiNb19-10	1.4552	GX5CrNiNb19-10	1.4552	GX5CrNiNb19-10	1.4552	GX5CrNiNb19-10	1.4552
10	Upper Stem	X17CrNi16-2	1.4057	X17CrNi16-2	1.4057	X17CrNi16-2	1.4057	X17CrNi16-2	1.4057
11	Handwheel	EN-GJS-400-15	0.7040	EN-GJS-400-15	0.7040	EN-GJS-400-15	0.7040	EN-GJS-400-15	0.7040
13	Hex.nut	Steel	5	24CrMo5	1.7258	A4-70		A4-70	
14	Stud bolt	Steel	5.6	21CrMoV5-7	1.7709	A4-70		A4-70	
15	Packing	Graphite		Graphite		PTFE-Silk**		Graphite	
16	Stud bolt	21CrMoV5-7	1.7709	21CrMoV5-7	1.7709	A4-70		A4-70	
17	Hex.nut	25CrMo4	1.7218	25CrMo4	1.7218	A4-70		A4-70	
18	Bonnet gasket	Kammprofil / Graphite + S.S.		Kammprofil / Graphite + S.S.		Kammprofil / Graphite + S.S.		Kammprofil / Graphite + S.S.	

## Special materials on request

\* Pressure-temperature-rating see appendix

\*\* ≥ 220°C Packing of pure graphite

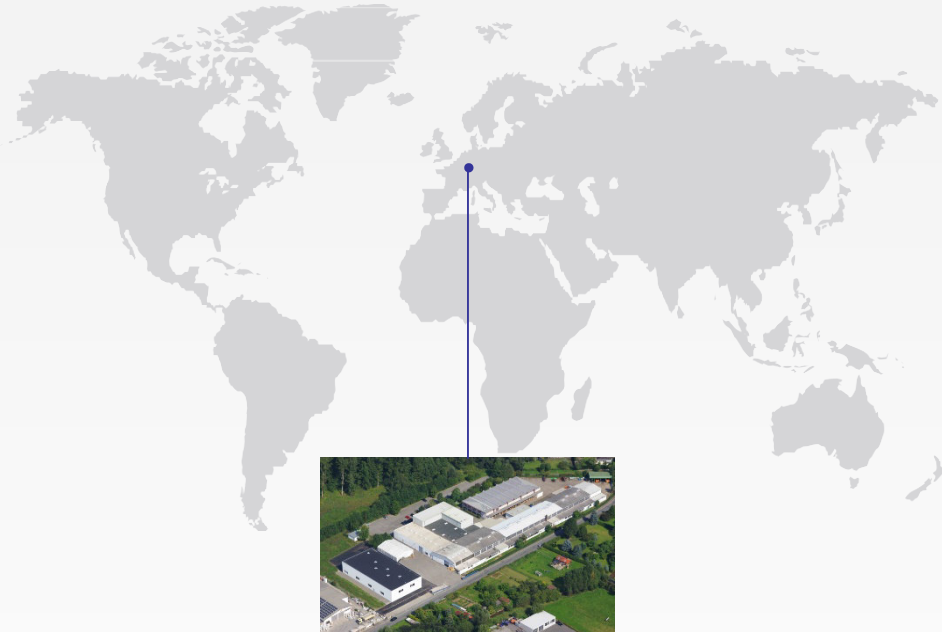
## Specification

Marking	EN19, AD-A4, CE
Face-to-face dimensions	
Flanged option	DIN EN 558-1
Butt weld ends	DIN EN 12982 up to PN100
Socket weld ends	
Connections	
Flanged option	DIN EN 1092-1 up to PN100 / DIN 2512 PN160
Butt weld ends	DIN EN 12627
Socket weld ends	DIN EN 12760
Testing standard	AD-2000, DIN 3230 section 3, DIN EN 12266

PHÖNIX reserves the right to change product design and specification without notice.

PHÖNIX • P +49 5693 988-0 • F +49 5693 988-178 • info@phoenix-valvegroup.com • https://phoenix-valvegroup.com

# Contact us



Volkmarsen, Germany

## Sales and Operations

### Phönix Valve Group GmbH

Volkmarsen, Germany  
Phone: +49 5693 988 0  
Email: [info@phoenix-valvegroup.com](mailto:info@phoenix-valvegroup.com)  
Website: [www.phoenix-valvegroup.com](http://www.phoenix-valvegroup.com)

### Phönix Armaturen Werke-Bregel GmbH

Volkmarsen, Germany  
Phone: +49 5693 988 0  
Email: [info@phoenix-valvegroup.com](mailto:info@phoenix-valvegroup.com)  
Website: [www.phoenix-valvegroup.com](http://www.phoenix-valvegroup.com)

### Strack GmbH

Volkmarsen, Germany  
Phone: +49 5693 988 0  
Email: [info@phoenix-valvegroup.com](mailto:info@phoenix-valvegroup.com)  
Website: [www.phoenix-valvegroup.com](http://www.phoenix-valvegroup.com)

### PAW SARL

Genay Cedex, France  
Phone: +33 437 408 195  
Email: [commercial@phoenix-valvegroup.com](mailto:commercial@phoenix-valvegroup.com)  
Website: [www.phoenix-valvegroup.com](http://www.phoenix-valvegroup.com)

### Daume Regelarmaturen GmbH

Volkmarsen, Germany  
Phone: +49 5693 988 0  
Email: [info@phoenix-valvegroup.com](mailto:info@phoenix-valvegroup.com)  
Website: [www.phoenix-valvegroup.com](http://www.phoenix-valvegroup.com)

### Solent & Pratt Phönix Ltd.

Volkmarsen, Germany  
Phone: +49 5693 988 0  
Email: [info@phoenix-valvegroup.com](mailto:info@phoenix-valvegroup.com)  
Website: [www.phoenix-valvegroup.com](http://www.phoenix-valvegroup.com)



While this information is presented in good faith and believed to be accurate, Phönix Valve Group GmbH, does not guarantee satisfactory results from reliance on such information. Nothing contained herein is to be construed as a warranty or guarantee, expressed or implied, regarding the performance, merchantability, fitness or any other matter with respect to the products, nor as a recommendation to use any product or process in conflict with any patent. Phönix Valve Group GmbH, reserves the right, without notice, to alter or improve the designs or specifications of the products described herein.

© 2022 Phönix Valve Group. All rights reserved. Specifications are subject to change without notice. All trademarks are property of their respective owners

Printed in Germany  
09/22-R0