



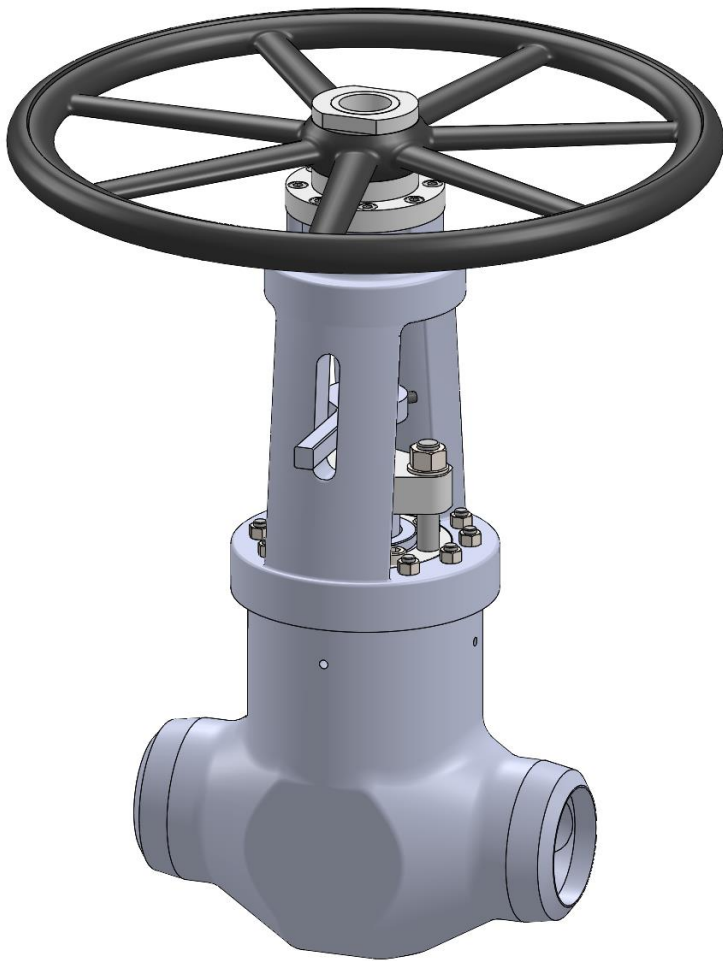
PHÖNIX

STRACK

DAUME
REGELARMATUREN



Solent & Pratt
Phoenix Ltd



Globe Valve

Type S22

Class 900 - 2500

Phoenix Valve Group
Am Stadtbruch 6
34471 Volkmarsen

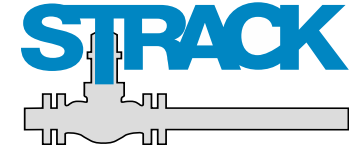
Phone:
web:
eMail:

+49 5693 988 0
www.phoenix-valvegroup.com
info@phoenix-valvegroup.com



High Pressure Globe Valve / S22

NPS 2 - 10
CI. 900 / 1500 / 2500



Design

Throttling and shut-off service

Pressure Seal design

Ready to be actuated

Graphite gasket and packing

Bolted bonnet execution available

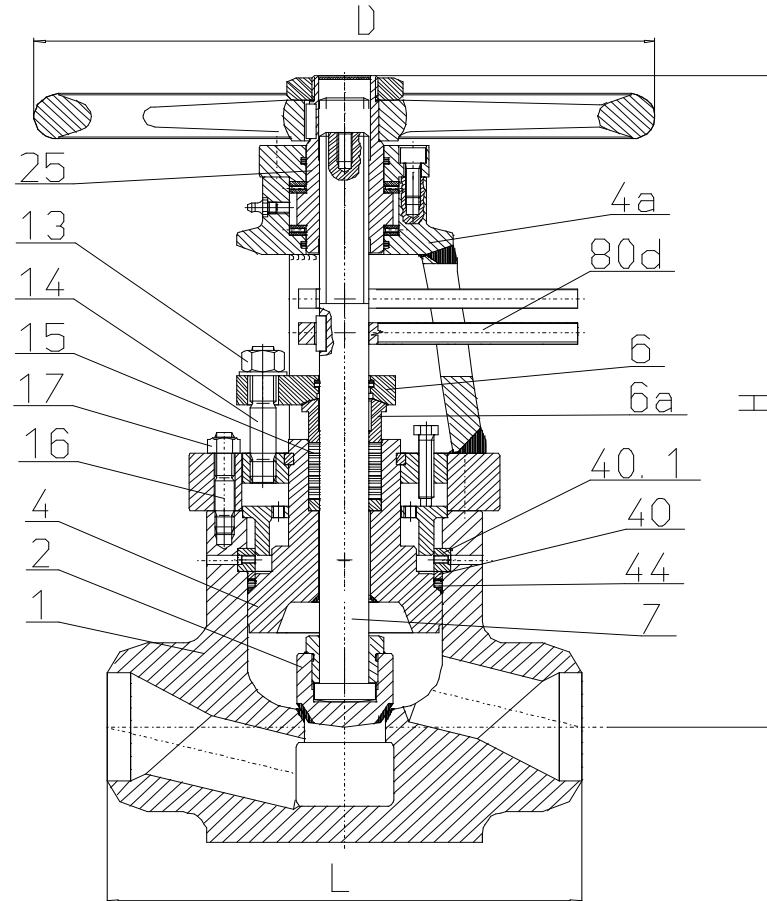
Mechanical indication as a standard

Dimensions

CI. 900	NPS	2	3	4	6	8	10
	L _{BW}	216	305	356	508	660	725
	H	515	590	700	850	1050	1460
	D	300	400	500	500	500	750
	Weight (kg)	45	70	105	220	390	695

CI. 1500	NPS	2	3	4	6	8	10
	L _{BW}	216	305	406	559	711	725
	H	515	590	700	850	1050	1500
	D	300	400	500	750	750	750
	Weight (kg)	45	75	135	250	480	890

CI. 2500	NPS	2	3	4	6	8	10
	L _{BW}	216	305	406	559	711	725
	H	515	590	700	850	1070	1550
	D	300	400	500	750	750	750
	Weight (kg)	45	81	145	275	515	995



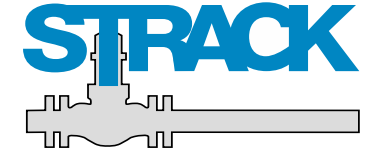
PHÖNIX reserves the right to change product design and specification without notice.

PHÖNIX • P +49 5693 988-0 • F +49 5693 988-178 • info@phoenix-valvegroup.com • https://phoenix-valvegroup.com

High Pressure Globe Valve / S22

Cl. 900 / 1500 / 2500 NPS 2 - 10

Materials



Item	Part name	Heat resistant carbon steel	High temperature resistant steel	Stainless steel
		Material *	Material *	Material *
1	Body	A 105 A 182 Gr. F1 A 182 Gr. F11 A 182 Gr. F22	A 182 Gr. F91	A 182 Gr.F316L
	Overlay	Stellite 21 (≈ 32 HRC)	Stellite 21 (≈ 32 HRC)	Stellite 21 (≈ 32 HRC)
2	Plug	A 276 Gr. 431	A 276 Gr. 431	A 479 Gr.316Ti
	Overlay	Stellite 6 (≈ 42 HRC)	Stellite 6 (≈ 42 HRC)	Stellite 6 (≈ 42 HRC)
4	Pressure sealed cover	like body material	like body material	like body material
4a	Yoke	A 105	A 105	A 105
		A 217 Gr. WC1	A 217 Gr. WC1	A 217 Gr. WC1
6	Gland follower	A 182 Gr. F1	A 182 Gr. F1	A 182 Gr. F1
6a	Pressure piece	AISI 420	AISI 420	AISI 420
7	Stem	>15,5 % Cr (1.4122)	>15,5 % Cr (1.4122)	>15,5 % Cr (1.4122)
13	Hexagonal nut	A 194 Gr. 4	A 194 Gr. 4	A 194 Gr. 4
14	Stud bolt	A 193 Gr.B7	A 193 Gr.B7	A 193 Gr.B7
15	Packing	Graphite	Graphite	Graphite
16	Stud bolt	A 193 Gr.B7	A 193 Gr.B7	A 193 Gr.B7
17	Hexagonal nut	A 194 Gr. 4	A 194 Gr. 4	A 194 Gr. 4
25	Bearings	CuAl10Fe3Mn2F60	CuAl10Fe3Mn2F60	CuAl10Fe3Mn2F60
40	Thrust ring	like body material	like body material	like body material
40.1	Segment ring	like body material	like body material	like body material
44	Cover gasket	Stainless steel / graphite	Stainless steel / graphite	Stainless steel / graphite
80d	Indicator	A 105	A 105	A 105

Special materials on request.

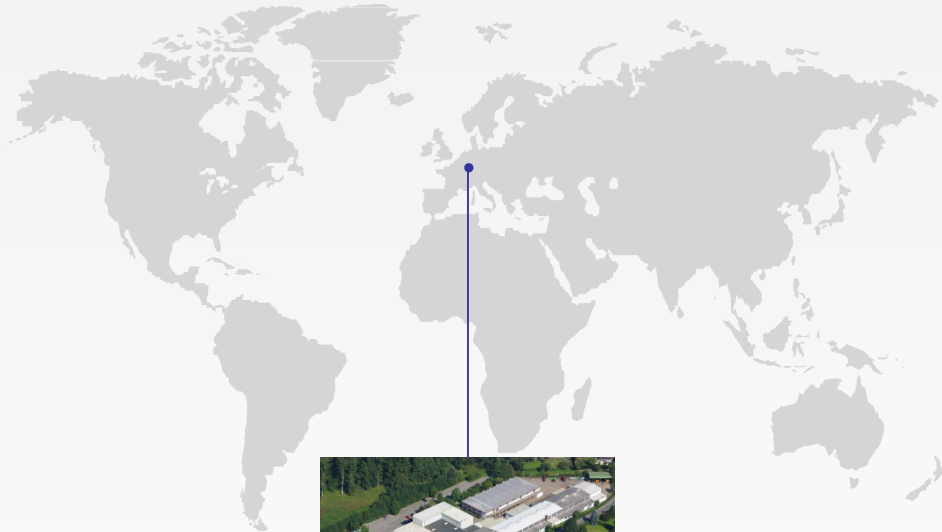
Specification

Marking	MSS SP-25, ISO 5209 (EN19, AD-A4, CE)
Face-to-face dimensions	
Butt weld ends	Manufacturer standard
Connections	
Butt weld ends	ASME B 16.25
Pressure-temp.-rating	ASME B 16.34
Testing standard	API 598, ISO 5208 (AD-2000, DIN 3230 section 3)

PHÖNIX reserves the right to change product design and specification without notice.

PHÖNIX • P +49 5693 988-0 • F +49 5693 988-178 • info@phoenix-valvegroup.com • https://phoenix-valvegroup.com

Contact us



Volkmarsen, Germany

Sales and Operations

Phönix Valve Group GmbH

Volkmarsen, Germany
Phone: +49 5693 988 0
Email: info@phoenix-valvegroup.com
Website: www.phoenix-valvegroup.com

Phönix Armaturen Werke-Bregel GmbH

Volkmarsen, Germany
Phone: +49 5693 988 0
Email: info@phoenix-valvegroup.com
Website: www.phoenix-valvegroup.com

Strack GmbH

Volkmarsen, Germany
Phone: +49 5693 988 0
Email: info@phoenix-valvegroup.com
Website: www.phoenix-valvegroup.com

PAW SARL

Genay Cedex, France
Phone: +33 437 408 195
Email: commercial@phoenix-valvegroup.com
Website: www.phoenix-valvegroup.com

Daume Regelarmaturen GmbH

Volkmarsen, Germany
Phone: +49 5693 988 0
Email: info@phoenix-valvegroup.com
Website: www.phoenix-valvegroup.com

Solent & Pratt Phönix Ltd.

Volkmarsen, Germany
Phone: +49 5693 988 0
Email: info@phoenix-valvegroup.com
Website: www.phoenix-valvegroup.com



While this information is presented in good faith and believed to be accurate, Phönix Valve Group GmbH, does not guarantee satisfactory results from reliance on such information. Nothing contained herein is to be construed as a warranty or guarantee, expressed or implied, regarding the performance, merchantability, fitness or any other matter with respect to the products, nor as a recommendation to use any product or process in conflict with any patent. Phönix Valve Group GmbH, reserves the right, without notice, to alter or improve the designs or specifications of the products described herein.

© 2022 Phönix Valve Group. All rights reserved. Specifications are subject to change without notice. All trademarks are property of their respective owners

Printed in Germany
09/22-R0