



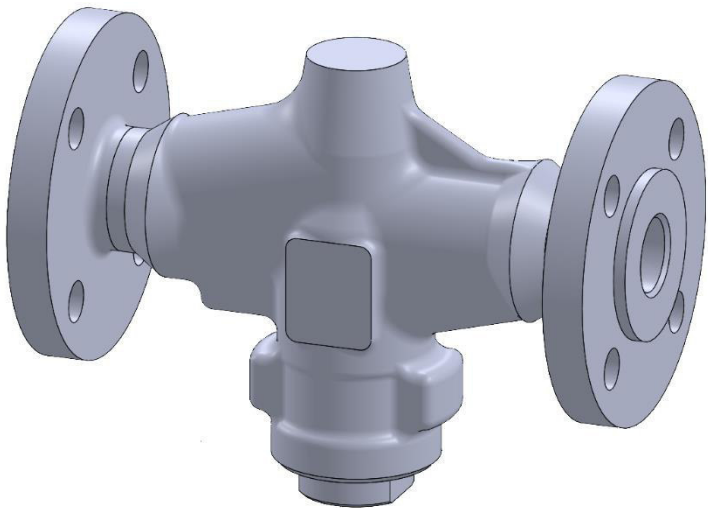
PHÖNIX

STRACK

DAUME
REGELARMATUREN



Solent & Pratt
Phoenix Ltd



Strainer

Type S29

PN 160 - 400

Phönix Valve Group
Am Stadtbruch 6
34471 Volkmarsen

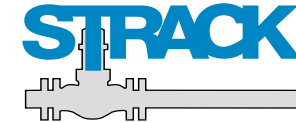
Phone:
web:
eMail:

+49 5693 988 0
www.phoenix-valvegroup.com
info@phoenix-valvegroup.com



Strainer / Type S29

DN 15 - 50
PN 160 / 250 / 400



Design

- Easy replaceable basket
- Construction of forged components
- Coverless design

Dimensions of Baskets

Gap width	open strainer surface [mm ²]	DN 25	DN 50
0,1 mm		345	1035
0,25 mm		862	2588
0,5 mm		1138	3415
0,8 mm		1518	4554
1 mm		1725	5175

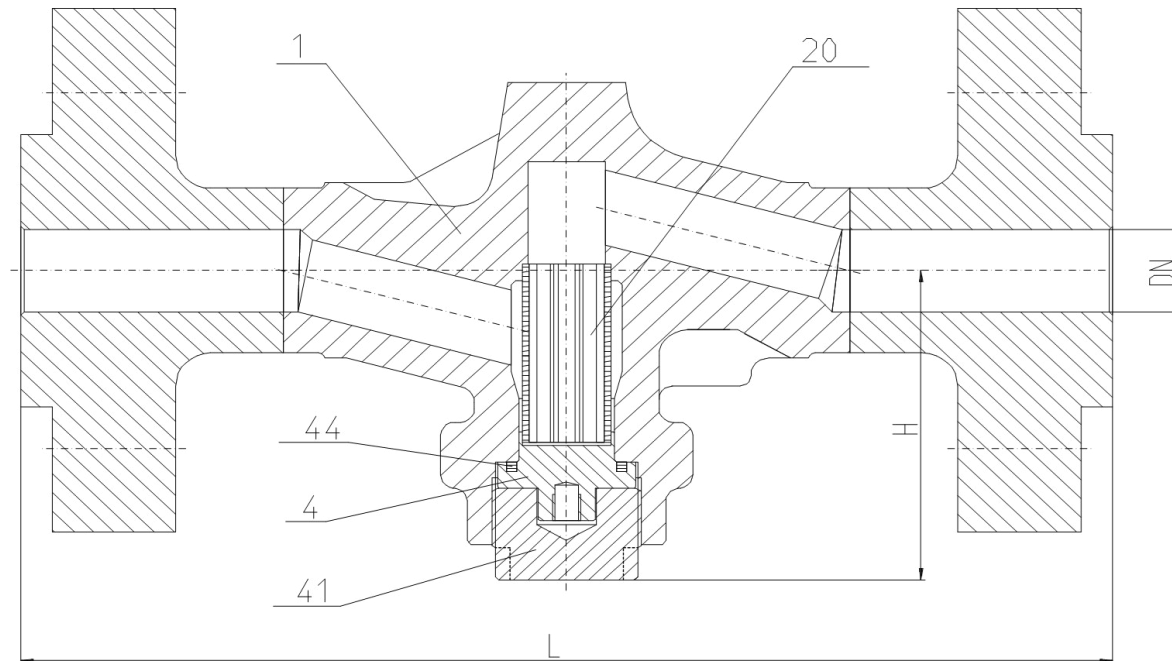
0,25 mm gap width = standard

Dimensions - Flanged Valves

PN 160 - 400	Size / DN	15	25	40	50
	L PN 160	210	230	-	300
	L PN 250	230	260	300	350
	L PN 320	230	260	300	350
	L PN 400	260	300	350	400
	H	97	97	150	150
	Weight PN 400 (kg)		14,5		50

Drag coefficient / Flow coefficient

Size / DN	15	25	40	50
ζ_v [-]	on request			
k_v [m ³ /h]				



PHÖNIX reserves the right to change product design and specification without notice.

PHÖNIX • P +49 5693 988-0 • F +49 5693 988-178 • info@phoenix-valvegroup.com • https://phoenix-valvegroup.com

Strainer / Type S29

PN 160 / 250 / 400 DN15 - DN50

Materials



Item	Part name	Heat resistant carbon steel		Low temperature steel		Stainless steel	
		Material *	DIN	Material * -50 °C / 500 bar 400 °C / 375 bar	DIN	Material * 20 °C / 500 bar 550 °C / 356 bar	DIN
1	Body	20 °C / 630 bar ... 450 °C / 193 bar P250GH 20 °C / 630 bar ... 530 °C / 132 bar 16Mo3 20 °C / 630 bar ... 550 °C / 137 bar 13CrMo4-5 20 °C / 630 bar ... 600 °C / 95 bar 10CrMo9-10 20 °C / 630 bar ... 650 °C / 123 bar X10CrMoVNB9-1	1.0460 1.5415 1.7335 1.7380 1.4903	P355NL1	1.0566	X 2CrNiMo17-12-2	1.4404
4	Bonnet	13CrMo4-5	1.7335	13CrMo4-5	1.0566	13CrMo4-5	1.4404
20	Strainer	X2CrNiMo18-14-3 X5CrNi18-10	1.4435 1.4301	X2CrNiMo18-14-3 X5CrNi18-10	1.4435 1.4301	X2CrNiMo18-14-3 X5CrNi18-10	1.4435 1.4301
41	Pressure bolt	X20CrMoV11-1	1.4922	X20CrMoV11-1	1.4922	X20CrMoV11-1	1.4922
44	Gasket	Graphite		Graphite		Graphite	

Special materials on request

* Pressure-temperature-rating see appendix

Specification

Marking EN19, AD-A4, CE

Face-to-face dimensions

Flanged option Manufacturer standard

Connections

Flanged option DIN EN 1092-1 up to PN100 / DIN 2638 (PN160) / DIN 2628 (PN250) / DIN 2629 (PN320) / DIN 2627 (PN400)

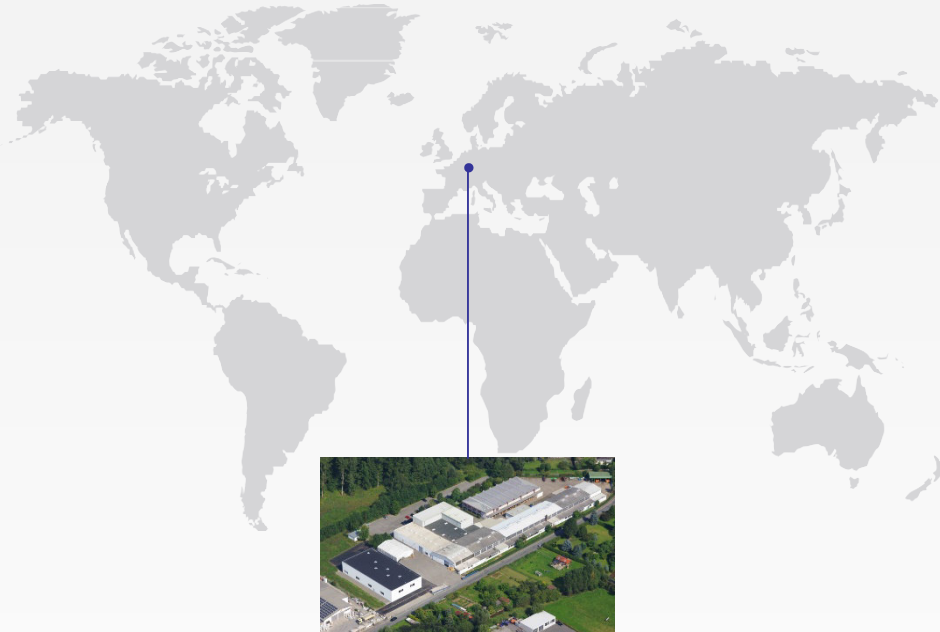
Testing standard

AD-2000, DIN 3230 section 3, DIN EN 12266

PHÖNIX reserves the right to change product design and specification without notice.

PHÖNIX • P +49 5693 988-0 • F +49 5693 988-178 • info@phoenix-valvegroup.com • https://phoenix-valvegroup.com

Contact us



Volkmarsen, Germany

Sales and Operations

Phönix Valve Group GmbH

Volkmarsen, Germany
Phone: +49 5693 988 0
Email: info@phoenix-valvegroup.com
Website: www.phoenix-valvegroup.com

Phönix Armaturen Werke-Bregel GmbH

Volkmarsen, Germany
Phone: +49 5693 988 0
Email: info@phoenix-valvegroup.com
Website: www.phoenix-valvegroup.com

Strack GmbH

Volkmarsen, Germany
Phone: +49 5693 988 0
Email: info@phoenix-valvegroup.com
Website: www.phoenix-valvegroup.com

PAW SARL

Genay Cedex, France
Phone: +33 437 408 195
Email: commercial@phoenix-valvegroup.com
Website: www.phoenix-valvegroup.com

Daume Regelarmaturen GmbH

Volkmarsen, Germany
Phone: +49 5693 988 0
Email: info@phoenix-valvegroup.com
Website: www.phoenix-valvegroup.com

Solent & Pratt Phönix Ltd.

Volkmarsen, Germany
Phone: +49 5693 988 0
Email: info@phoenix-valvegroup.com
Website: www.phoenix-valvegroup.com



While this information is presented in good faith and believed to be accurate, Phönix Valve Group GmbH, does not guarantee satisfactory results from reliance on such information. Nothing contained herein is to be construed as a warranty or guarantee, expressed or implied, regarding the performance, merchantability, fitness or any other matter with respect to the products, nor as a recommendation to use any product or process in conflict with any patent. Phönix Valve Group GmbH, reserves the right, without notice, to alter or improve the designs or specifications of the products described herein.

© 2022 Phönix Valve Group. All rights reserved. Specifications are subject to change without notice. All trademarks are property of their respective owners

Printed in Germany
09/22-R0