



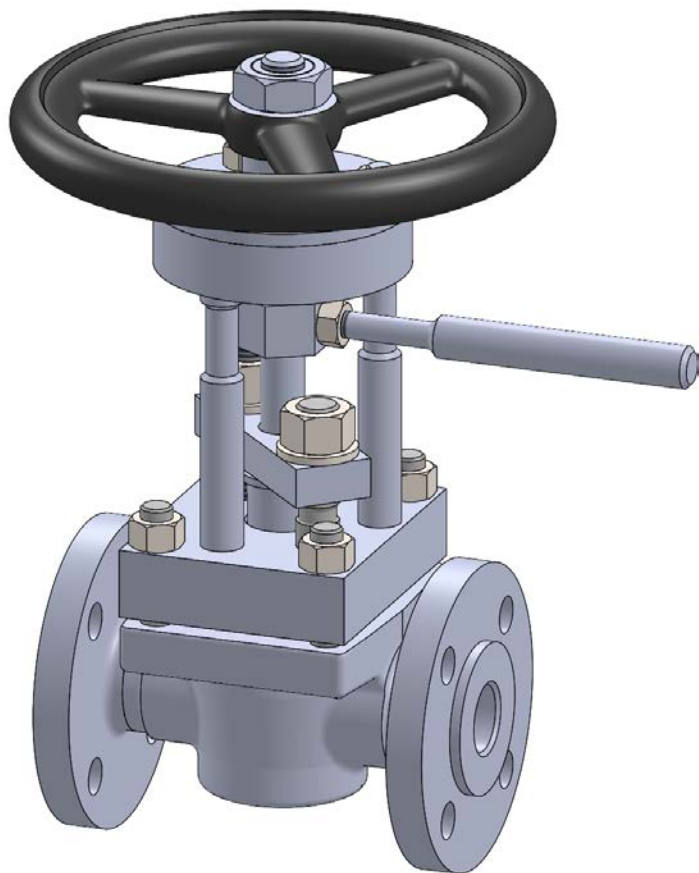
**PHÖNIX**

**STRACK**

**DAUME**  
REGELARMATUREN



**Solent & Pratt**  
Phönix Ltd



# Liftplug Valve

## Type S50

### PN 25

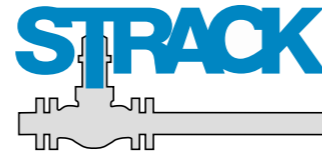
Phönix Valve Group  
Am Stadtbruch 6  
34471 Volkmarsen

Phone:  
web:  
eMail:

+49 5693 988 0  
[www.phoenix-valvegroup.com](http://www.phoenix-valvegroup.com)  
[info@phoenix-valvegroup.com](mailto:info@phoenix-valvegroup.com)



# Metal Seated Liftplug Valve



## Model S50

Straight Way

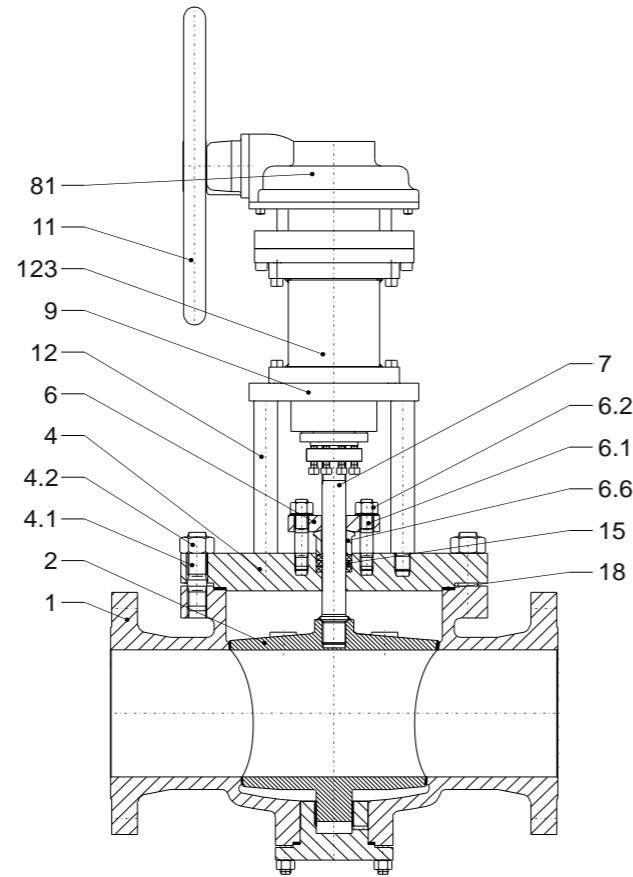
Standard Materials of Construction

### Options

Other materials per customer requirements are available!

### Notes

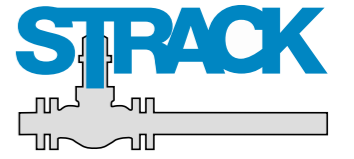
STRACK reserves the right to change product design and specification without notice!



### Materials

Item	Part Name	Carbon steel		Heat resistant carbon steel		Stainless steel
		-10°C up to 400°C up to 750°F	-10°C up to 550°C up to 1020°F	-10°C up to 650°C up to 1200°F	-200°C up to 400°C up to 750°F	
1	Body	1.0460 / 1.0619	1.7335 / 1.7357	1.7362 / 1.7363	1.4404 / 1.4408	
	Seat overlay	1.4370	1.4115	Stellite 21	1.4115	
2	Plug	1.4021 / 1.0619	1.7335 / 1.7357	1.7362 / 1.7363	1.4571 / 1.4408	
	Overlay	1.4370	1.4115	Stellite 21	-	
4	Bonnet	1.0460 / 1.0619	1.7335 / 1.7357	1.7362 / 1.7363	1.4404 / 1.4408	
4.1	Stud bolt	1.7709	1.7709	1.4986	A4-70	
4.2	Hex. nut	1.7218	1.7218	1.4986	A4-70	
6	Gland follower	1.4021	1.4021	1.4922	1.4571	
6.1	Stud bolt	1.7709	1.7709	1.4986	A4-70	
6.2	Hex. nut	1.7218	1.7218	1.4986	A4-70	
6.6	Gland flange	1.0460	1.0460	1.0460	1.4571	
7	Stem	1.4021	1.4922	1.4922	1.4571	
11	Handwheel	Cast iron	Cast iron	Cast iron	Cast iron	
12	Pillar	1.4057	1.4057	1.4057	1.4057	
15	Packing	Graphite	Graphite	Graphite	Graphite	
18	Gasket	Graphite / stainless steel	Graphite / stainless steel		Graphite / stainless steel	
81	Gear	Manufacturer standard	Manufacturer standard		Manufacturer standard	
123	Lifttorque operator	Manufacturer standard	Manufacturer standard		Manufacturer standard	

# Metal Seated Liftplug Valve



## Model S50

Straight Way

PN25 Sizes DN15 - DN300

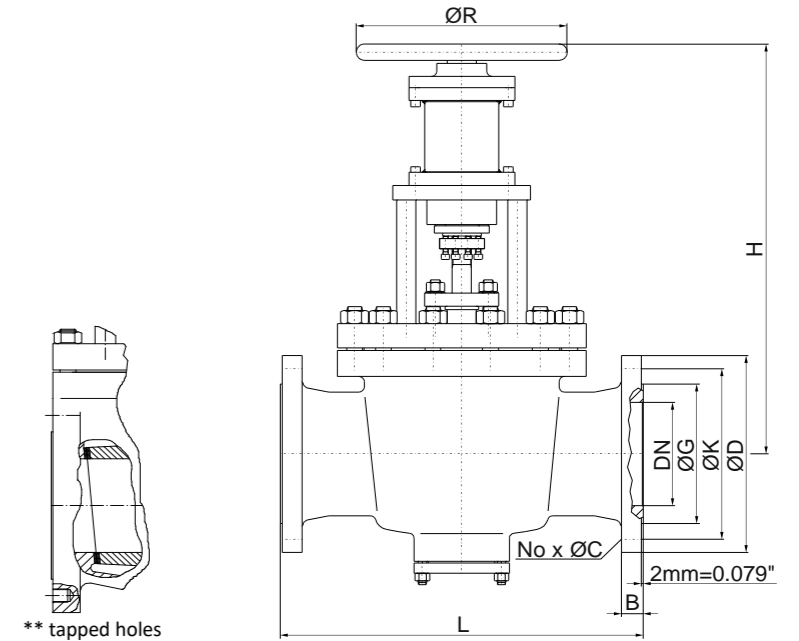
### Options

- Other customer specific designs on request

### Notes

- Marking acc. to EN19, AD-A4, CE
- Face-to-face dimensions acc. to DIN EN 558-1
- Standard connection flanges acc. to DIN EN 1092-1
- Testing acc. to DIN EN 12266
- Preservation per manufacturer standard

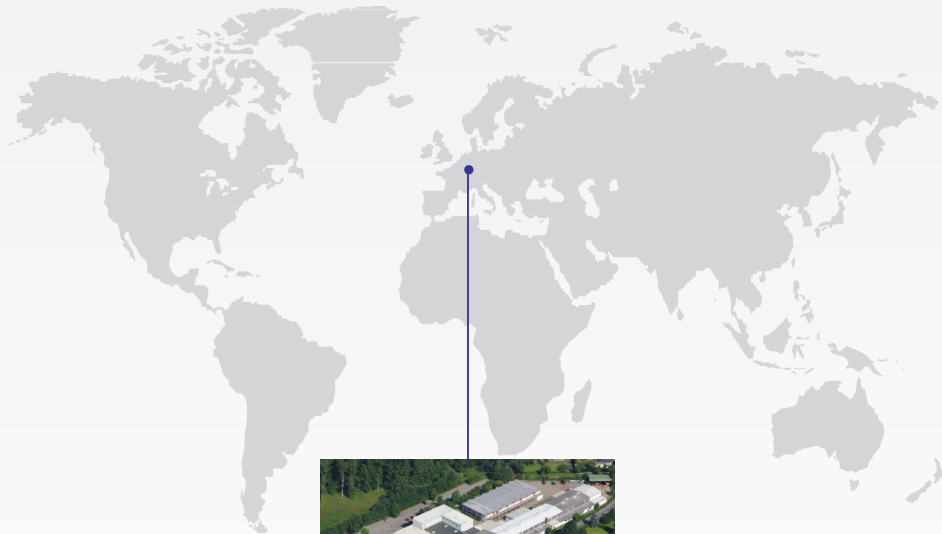
Strack reserves the right to change product design and specification without notice!



### Dimensions & Weights & Flow Coefficients

DN	Unit	Plug L	Ball L	H	ØR	Flange facing type B1					Weight
						ØG	ØK	No x ØC	ØD	B	
15	[mm] [in]	130 5.12		340 13.39	150 5.91	45 1.77	65 2.56	4 x 14 4 x 0.55	95 3.74	16 0.63	19 kg 42 lbs
20	[mm] [in]	150 5.91		370 14.57	150 5.91	58 2.28	75 2.95	4 x 14 4 x 0.55	105 4.13	18 0.71	22 kg 49 lbs
25	[mm] [in]	160 6.30	125 4.92	370 14.57	200 7.87	68 2.68	85 3.35	4 x 14 4 x 0.55	115 4.53	18 0.71	23 kg 51 lbs
40	[mm] [in]	200 7.87	140 5.51	400 15.75	225 8.86	88 3.46	110 4.33	4 x 18 4 x 0.71	150 5.91	18 0.71	30 kg 66 lbs
50	[mm] [in]	230 9.06	150 5.91	400 15.75	225 8.86	102 4.02	125 4.92	4 x 18 4 x 0.71	165 6.50	20 0.79	36 kg 79 lbs
80	[mm] [in]	310 12.20	180 7.09	480 18.90	250 9.84	138 5.43	160 6.30	8 x 18 8 x 0.71	200 7.87	24 0.94	65 kg 143 lbs
100	[mm] [in]	350 13.78	190 7.48	560 22.05	300 11.81	162 6.38	190 7.48	8 x 22 8 x 0.87	235 9.25	24 0.94	106 kg 234 lbs
150	[mm] [in]	480 18.90	350 13.78	630 24.80	400 15.75	218 8.58	250 9.84	8 x 26 8 x 1.02	300 11.81	28 1.10	185 kg 408 lbs
200	[mm] [in]	600 23.62	400 15.75	790 31.10	500 19.69	275 10.83	310 12.20	12 x 26 12 x 1.02	360 14.17	30 1.18	340 kg 750 lbs
250	[mm] [in]	730 28.74	450 17.72	900 35.43	600 23.62	335 13.19	370 14.57	12 x 30 12 x 1.18	425 16.73	32 1.26	450 kg 992 lbs
300	[mm] [in]	850 33.46	500 19.69	1030 40.55	800 31.50	395 15.55	430 16.93	16 x 30 16 x 1.18	485 19.09	34 1.34	670 kg 1477 lbs

# Contact us



Volkmarsen, Germany

## Sales and Operations

### Phönix Valve Group GmbH

Volkmarsen, Germany  
Phone: +49 5693 988 0  
Email: [info@phoenix-valvegroup.com](mailto:info@phoenix-valvegroup.com)  
Website: [www.phoenix-valvegroup.com](http://www.phoenix-valvegroup.com)

### Phönix Armaturen Werke-Bregel GmbH

Volkmarsen, Germany  
Phone: +49 5693 988 0  
Email: [info@phoenix-valvegroup.com](mailto:info@phoenix-valvegroup.com)  
Website: [www.phoenix-valvegroup.com](http://www.phoenix-valvegroup.com)

### Strack GmbH

Volkmarsen, Germany  
Phone: +49 5693 988 0  
Email: [info@phoenix-valvegroup.com](mailto:info@phoenix-valvegroup.com)  
Website: [www.phoenix-valvegroup.com](http://www.phoenix-valvegroup.com)

### PAW SARL

Genay Cedex, France  
Phone: +33 437 408 195  
Email: [commercial@phoenix-valvegroup.com](mailto:commercial@phoenix-valvegroup.com)  
Website: [www.phoenix-valvegroup.com](http://www.phoenix-valvegroup.com)

### Daume Regelarmaturen GmbH

Volkmarsen, Germany  
Phone: +49 5693 988 0  
Email: [info@phoenix-valvegroup.com](mailto:info@phoenix-valvegroup.com)  
Website: [www.phoenix-valvegroup.com](http://www.phoenix-valvegroup.com)

### Solent & Pratt Phönix Ltd.

Volkmarsen, Germany  
Phone: +49 5693 988 0  
Email: [info@phoenix-valvegroup.com](mailto:info@phoenix-valvegroup.com)  
Website: [www.phoenix-valvegroup.com](http://www.phoenix-valvegroup.com)



While this information is presented in good faith and believed to be accurate, Phönix Valve Group GmbH, does not guarantee satisfactory results from reliance on such information. Nothing contained herein is to be construed as a warranty or guarantee, expressed or implied, regarding the performance, merchantability, fitness or any other matter with respect to the products, nor as a recommendation to use any product or process in conflict with any patent. Phönix Valve Group GmbH, reserves the right, without notice, to alter or improve the designs or specifications of the products described herein.

© 2022 Phönix Valve Group. All rights reserved. Specifications are subject to change without notice. All trademarks are property of their respective owners

Printed in Germany  
09/22-R0