



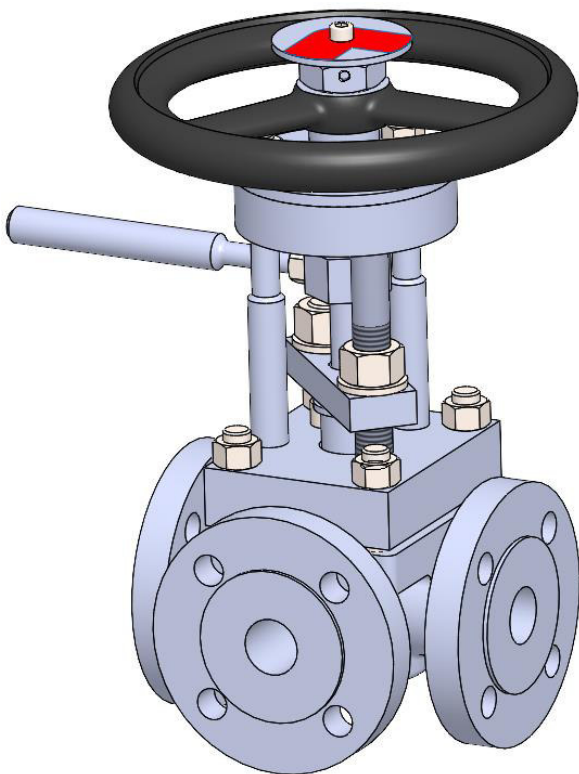
PHÖNIX

STRACK

DAUME
REGELARMATUREN



Solent & Pratt
Phönix Ltd



**3-Way
Lift Plug Valve
Type S51
PN 16 - 40**

Phönix Valve Group
Am Stadtbruch 6
34471 Volkmarsen

Phone:
web:
eMail:

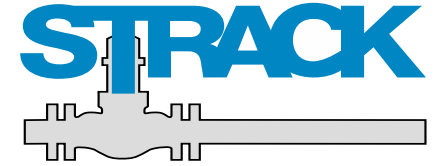
+49 5693 988 0
www.phoenix-valvegroup.com
info@phoenix-valvegroup.com



3-Way Liftplug Valve / S51

100% round Port

DN 15 - 50
PN 16 / 25 / 40

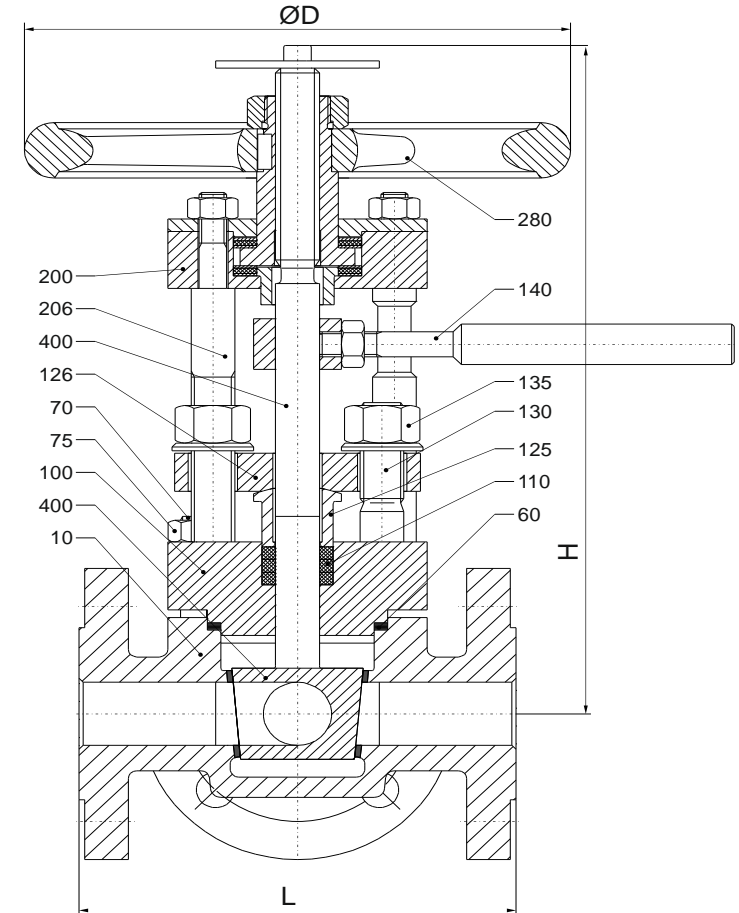
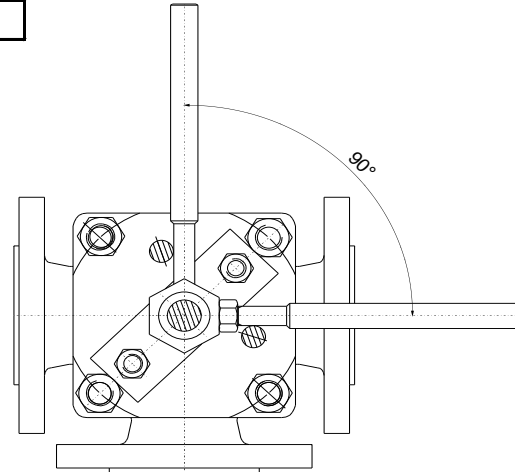


Design

- Nonlubricated, metal seated
- Flow of the medium is through a circular pipe
- Protected sealing surface in OPEN and CLOSE position
- No depositor sediment in OPEN or CLOSE position
- Bi-directional sealing with double block & bleed capability
- Double mechanical barrier

Dimensions

PN 16 - 40	Size / DN	15	20	25	32	40	50
	L	130	150	160	180	200	230
	H	220	230	250	260	280	280
	D	150	150	200	200	225	225
	Weight (kg)	13	15	17	22	26	30



PHÖNIX reserves the right to change product design and specification without notice.

3-Way Liftplug Valve / S51 100% round Port

PN 16 / 25 / 40 DN 15 - 50

Materials



Item	Part name	Heat resistant carbon steel		Heat resistant carbon steel		Stainless steel		Material
		Material* from -10 up to 400°C	DIN	Material* from -10°C up to 500°C	DIN	Material* from -200°C up to 400°C	DIN	
10	Body	P250GH	1.0460	13CrMo4-5	1.7335	X 2CrNiMo17-12-2	1.4404	6Mo and Duplex
60	Bonnet gasket	Graphite + S.S.		Graphite + S.S.		Graphite + S.S.		
70	Bottom flange	21CrMoV5-7	1.7709	X7CrNiMoNb16-16	1.4986	A4-70		
75	Bottom gasket	25CrMo4	1.7218	X7CrNiMoNb16-16	1.4986	A4-70		
100	Bonnet	P250GH	1.0460	13CrMo4-5	1.7335	X 2CrNiMo17-12-2	1.4404	
110	Packing	Graphite		Graphite		Graphite		
125	Gland	X20Cr13	1.4021	X20CrMoV11-1	1.4922	X6CrNiMoTi17-12-2	1.4571	
126	Gland flange	P250GH	1.0460	13CrMo4-5	1.7335	P250GH	1.0460	
130	Stud bolt	21CrMoV5-7	1.7709	X7CrNiMoNb16-16	1.4986	A4-70		
140	Lever	X20Cr13	1.4021	X20Cr13	1.4021	X20Cr13	1.4021	
200	Bridge	P250GH	1.0460	P250GH	1.0460	X6CrNiMoTi17-12-2	1.4571	
205	Hex. nut	25CrMo4	1.7218	X7CrNiMoNb16-16	1.4986	A4-70		
206	Pillar	X20Cr13	1.4021	X20Cr13	1.4021	X17CrNi16-2	1.4057	
280	Handwheel	EN-GJS-400-15	0.7040	EN-GJS-400-15	0.7040	EN-GJS-400-15	0.7040	
400	Plug	X20Cr13	1.4021	X20CrMoV11-1	1.4922	X6CrNiMoTi17-12-2	1.4571	
420	Stem	X20Cr13	1.4021	X20CrMoV11-1	1.4922	X6CrNiMoTi17-12-2	1.4571	

Special materials on request.

* Pressure-temperature rating see appendix

** ≥ 220°C Packing of pure graphite

Specification

Marking	EN19, AD-A4, CE
Face-to-face dimensions	
Flanged option	DIN EN 558-1 Basic series 1
Connections	
Flanged option	DIN EN 1092-1 up to PN100
Testing standard	AD-2000, DIN 3230 section 3

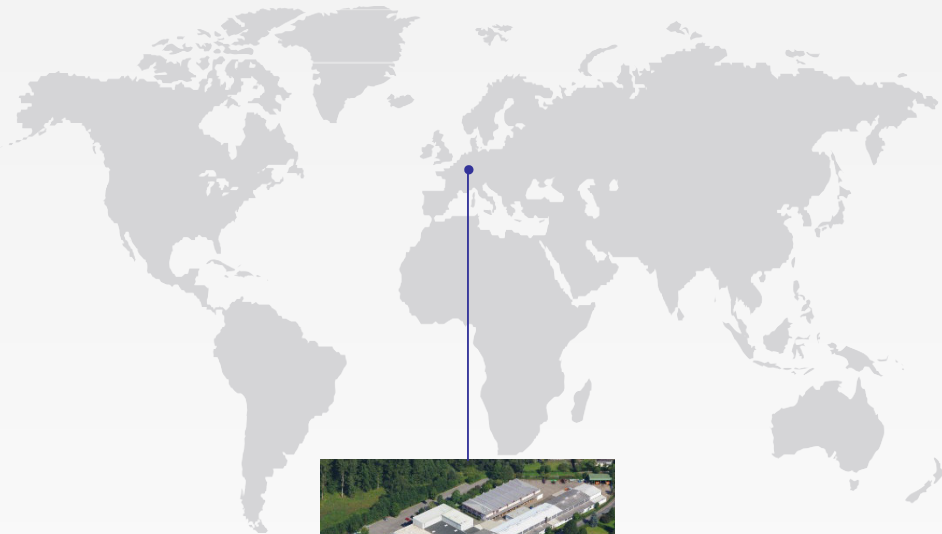
Available Trims

Trim N.	Plug seat Surface	Body seat surface
a	13% Cr	17% Cr
b	natural	natural
c	Stellite	Stellite
d	Stellite	natural
e	Monel	Monel
f	Hastelloy	Hastelloy

PHÖNIX reserves the right to change product design and specification without notice.

PHÖNIX • P +49 5693 988-0 • F +49 5693 988-178 • info@phoenix-valvegroup.com • https://phoenix-valvegroup.com

Contact us



Volkmarsen, Germany

Sales and Operations

Phönix Valve Group GmbH

Volkmarsen, Germany
Phone: +49 5693 988 0
Email: info@phoenix-valvegroup.com
Website: www.phoenix-valvegroup.com

Phönix Armaturen Werke-Bregel GmbH

Volkmarsen, Germany
Phone: +49 5693 988 0
Email: info@phoenix-valvegroup.com
Website: www.phoenix-valvegroup.com

Strack GmbH

Volkmarsen, Germany
Phone: +49 5693 988 0
Email: info@phoenix-valvegroup.com
Website: www.phoenix-valvegroup.com

PAW SARL

Genay Cedex, France
Phone: +33 437 408 195
Email: commercial@phoenix-valvegroup.com
Website: www.phoenix-valvegroup.com

Daume Regelarmaturen GmbH

Volkmarsen, Germany
Phone: +49 5693 988 0
Email: info@phoenix-valvegroup.com
Website: www.phoenix-valvegroup.com

Solent & Pratt Phönix Ltd.

Volkmarsen, Germany
Phone: +49 5693 988 0
Email: info@phoenix-valvegroup.com
Website: www.phoenix-valvegroup.com



While this information is presented in good faith and believed to be accurate, Phönix Valve Group GmbH, does not guarantee satisfactory results from reliance on such information. Nothing contained herein is to be construed as a warranty or guarantee, expressed or implied, regarding the performance, merchantability, fitness or any other matter with respect to the products, nor as a recommendation to use any product or process in conflict with any patent. Phönix Valve Group GmbH, reserves the right, without notice, to alter or improve the designs or specifications of the products described herein.

© 2022 Phönix Valve Group. All rights reserved. Specifications are subject to change without notice. All trademarks are property of their respective owners

Printed in Germany
09/22-R0